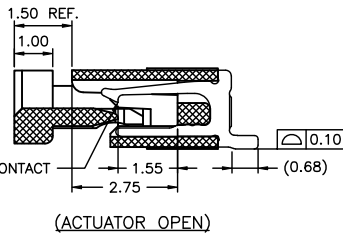
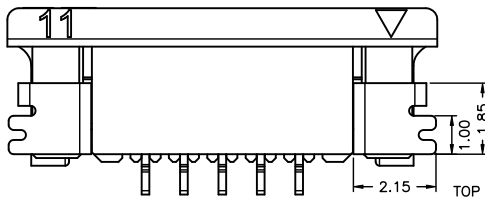


RECOMMENDED FFC/FPC DIMENSION



P/N LEGEND

F1018 WR-S-XP N L N XX X TO R
① ② ③ ④ ⑤ ⑥ ⑦ ⑧ ⑨ ⑩ ⑪

- ① Series No.
- ② Connector type: WR=Right angle
- ③ Mounting type: S=SMT
- ④ No. of circuits
- ⑤ N=Halogen Free
- ⑥ Material: L=LCP
- ⑦ Color: N=Natural(Beige)
- ⑧ Plating code for contacts:
T1=Matte Tin-plated; G1=Gold-flash
- ⑨ Plating code for solder tabs:
T=Matte Tin-plated; G=Gold-flash
- ⑩ Option code: T0=Top contact style
- ⑪ Packing code: R=Tape & Reel

SPECIFICATIONS

Current Rating: 0.5A AC,DC
 Voltage Rating: 50V AC,DC
 Temperature Range: -25°C ~ +85°C
 Contact Resistance: 30mΩ Max.
 Insulation Resistance: 500MΩ Min.
 Withstanding Voltage: 500V AC/minute
 Contacts: Phosphor Bronze/Matte Tin-plated or Gold-flash
 Solder Tabs: Brass/Matte Tin-plated or Gold-flash
 Housing: LCP,UL94V-0,Natural(Beige)
 Actuator: Nylon 6T,UL94V-0,Natural(Black)

Circuit No.	Dimensions			Circuit No.	Dimensions		
	A	B	C		A	B	C
04P	3.00	10.20	5.10	14P	13.00	20.20	15.10
05P	4.00	11.20	6.10	15P	14.00	21.20	16.10
06P	5.00	12.20	7.10	16P	15.00	22.20	17.10
07P	6.00	13.20	8.10	17P	16.00	23.20	18.10
08P	7.00	14.20	9.10	18P	17.00	24.20	19.10
09P	8.00	15.20	10.10	19P	18.00	25.20	20.10
10P	9.00	16.20	11.10	20P	19.00	26.20	21.10
11P	10.00	17.20	12.10	22P	21.00	28.20	23.10
12P	11.00	18.20	13.10	24P	23.00	30.20	25.10
13P	12.00	19.20	14.10	25P	24.00	31.20	26.10



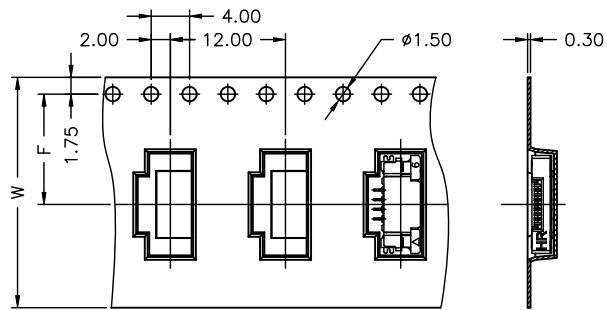
燦達電子工業股份有限公司
JOINT TECH ELECTRONIC IND. CO., LTD.

UNIT	SCALE	SHEET	TITLE:
mm	1 : 1	1 of 2	1.00mm PITCH FFC/FPC CONNECTOR, 90° SMT TYPE, ZIF, TOP CONTACT STYLE
DRAWN BY	APPROVED BY		DRAW NO. : F1018WR-S-XPXXXXXX0X
權生新 2012.08.06	董正一 2012.08.06		
GENERAL TOLERANCE			REV. A1
A1	EN1810220002	2018.10.22	徐富永
A0	NEW RELEASE	2012.08.06	權生新
REV.	DESCRIPTION	DATE	NAME

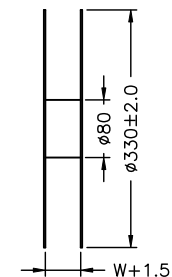
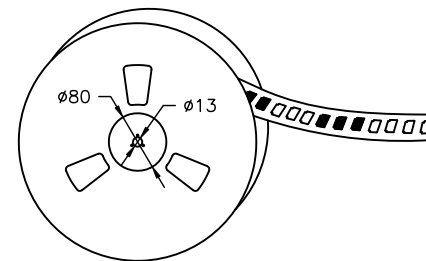
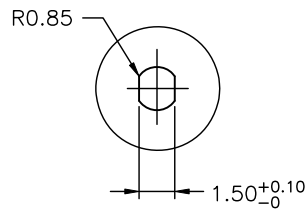
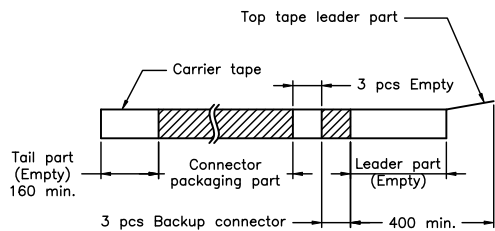
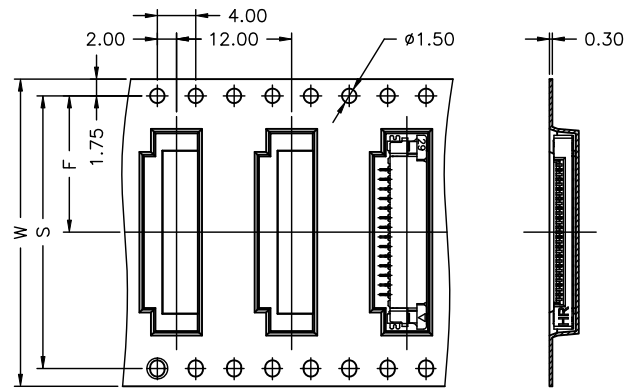
X.X±0.25	ANGLE±
X.XX±0.15	
X.XXX±0.05	



04~10 Contacts



11~25 Contacts



NOTE:

Material: Transparent
Anti-static Polystyrene.

Number of Contacts	W±0.3	F±0.1	S±0.1	Q'ty/Reel
04P	24	11.50		1,500
05P	24	11.50		1,500
06P	24	11.50		1,500
07P	24	11.50		1,500
08P	24	11.50		1,500
09P	24	11.50		1,500
10P	24	11.50		1,500
11P	32	14.20	28.40	1,500
12P	32	14.20	28.40	1,500
13P	32	14.20	28.40	1,500
14P	32	14.20	28.40	1,500
15P	44	20.20	40.40	1,500
16P	44	20.20	40.40	1,500
17P	44	20.20	40.40	1,500
18P	44	20.20	40.40	1,500
19P	44	20.20	40.40	1,500
20P	44	20.20	40.40	1,500
22P	44	20.20	40.40	1,500
24P	44	20.20	40.40	1,500
25P	44	20.20	40.40	1,500

				燦達電子工業股份有限公司 JOINT TECH ELECTRONIC IND. CO., LTD.	
UNIT		SCALE	SHEET		TITLE:
mm		1 : 1	2 of 2		
DRAWN BY		APPROVED BY		1.00mm PITCH FFC/FPC CONNECTOR, 90° SMT TYPE, ZIF, TOP CONTACT STYLE, TAPING SPEC.	
權生新		董正一			
2012.08.06		2012.08.06		DRAW NO. :	
		GENERAL TOLERANCE		REV. A1	
A1	EN1810220002	2018.10.22	徐富永	X.X±0.25	
A0	NEW RELEASE	2012.08.06	權生新	X.XX±0.15	
REV.	DESCRIPTION	DATE	NAME	X.XXX±0.05	
				F1018WR-S-XPXXXXXXTOX	