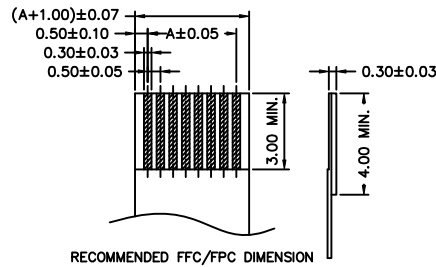


F0502WR-S-XPNXXXXXXR(04P~17P)

F0502WR-S-XPNXXXXXXR(18P~22P)

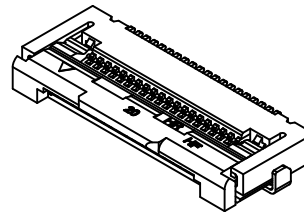
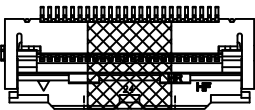
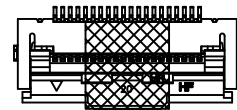
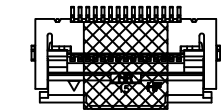
F0502WR-S-XPNXXXXXXR(23P~60P)



RECOMMENDED FFC/FPC DIMENSION

SPECIFICATIONS

Current Rating: 0.5A AC,DC
 Voltage Rating: 50V AC,DC
 Temperature Range: -25°C ~ +85°C
 Contact Resistance: 30mΩ Max.
 Insulation Resistance: 100MΩ Min.
 Withstanding Voltage: 250V AC/minute
 Contacts: Phosphor Bronze
 Solder Tabs: Phosphor Bronze
 Housing: LCP,UL94V-0,Natural(Beige)
 Cover: LCP,UL94V-0,Natural(Black)



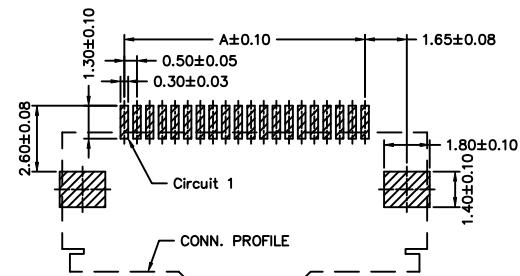
KAPTON TAPE
(FOR PICK AND PLACE SYSTEMS)

KAPTON TAPE
(FOR PICK AND PLACE SYSTEMS)

KAPTON TAPE
(FOR PICK AND PLACE SYSTEMS)

F0502WR-S-XPNXXXXXXL(04P~17P) F0502WR-S-XPNXXXXXXL(18P~22P)

F0502WR-S-XPNXXXXXXL(23P~60P)



SUGGESTED PCB LAYOUT
(TOP VIEW)

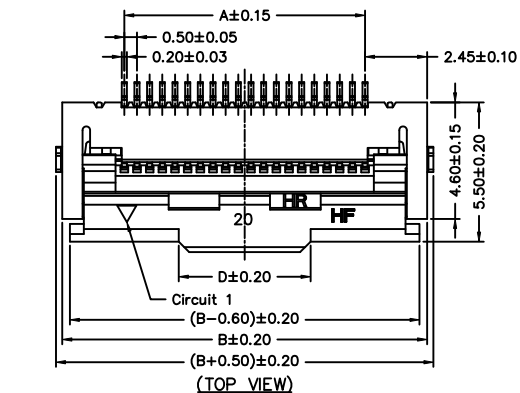
P/N LEGEND

F0502 WR-S-XP N L N XX X XX X
 ① ② ③ ④ ⑤ ⑥ ⑦ ⑧ ⑨ ⑩ ⑪

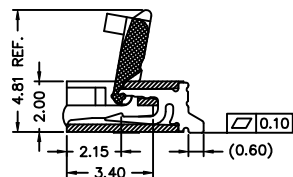
- ① Series No.
- ② Connector type: WR=Right angle
- ③ Mounting type: S=SMT
- ④ No. of circuits
- ⑤ N=Halogen Free
- ⑥ Material: L=LCP
- ⑦ Color: N=Natural(Beige)
- ⑧ Plating code for contacts:
T1=Matte Tin-plated; G1=Gold-flash
- ⑨ Plating code for solder tabs:
T=Matte Tin-plated; G=Gold-flash
- ⑩ Option code: 00=Standard 01=Cap Material is LCP
- ⑪ Packing code:
R=Tape & Reel(Without Cap or Mylar)
L=Tape & Reel(With Mylar)

Circuit No.	Dimensions				
	A	B	C	D	E
04P	1.50	6.40	2.60	2.20	
06P	2.50	7.40	3.60	2.70	
07P	3.00	7.90	4.10	2.70	
08P	3.50	8.40	4.60	2.70	
09P	4.00	8.90	5.10	2.70	
10P	4.50	9.40	5.60	4.70	
11P	5.00	9.90	6.10	4.70	
12P	5.50	10.40	6.60	4.70	
13P	6.00	10.90	7.10	4.70	
14P	6.50	11.40	7.60	4.70	
15P	7.00	11.90	8.10	5.20	
16P	7.50	12.40	8.60	5.20	
17P	8.00	12.90	9.10	5.20	
18P	8.50	13.40	9.60	5.20	
19P	9.00	13.90	10.10	5.20	
20P	9.50	14.40	10.60	5.20	
21P	10.00	14.90	11.10	5.20	
22P	10.50	15.40	11.60	5.20	
23P	11.00	15.90	12.10	4.70	6.00
24P	11.50	16.40	12.60	4.70	6.00
25P	12.00	16.90	13.10	4.70	6.00
26P	12.50	17.40	13.60	5.20	6.50

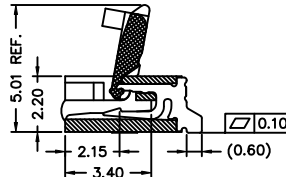
Circuit No.	Dimensions				
	A	B	C	D	E
27P	13.00	17.90	14.10	5.20	7.00
28P	13.50	18.40	14.60	5.20	7.00
29P	14.00	18.90	15.10	5.20	7.50
30P	14.50	19.40	15.60	5.20	7.50
31P	15.00	19.90	16.10	5.20	8.00
32P	15.50	20.40	16.60	5.20	8.00
33P	16.00	20.90	17.10	5.20	8.50
34P	16.50	21.40	17.60	5.20	9.00
35P	17.00	21.90	18.10	5.20	9.00
36P	17.50	22.40	18.60	5.20	9.00
37P	18.00	22.90	19.10	5.20	9.50
38P	18.50	23.40	19.60	5.20	10.00
39P	19.00	23.90	20.10	5.20	10.50
40P	19.50	24.40	20.60	5.20	13.50
42P	20.50	25.40	21.60	5.20	14.50
45P	22.00	26.90	23.10	5.20	14.30
46P	22.50	27.40	23.60	5.20	14.30
50P	24.50	29.40	25.60	5.20	6.50
54P	26.50	31.40	27.60	5.20	8.00
55P	27.00	31.90	28.10	5.20	8.00
60P	29.50	34.40	30.60	5.20	8.00



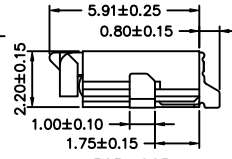
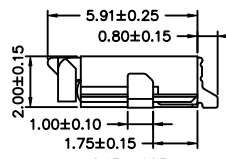
(TOP VIEW)



04P~46P



50P~60P



燦達電子工業股份有限公司
 JOINT TECH ELECTRONIC IND. CO., LTD.

REV.	DESCRIPTION	DATE	NAME
B0	EN20200720374	2020.07.29	鄭小嬌
A5	EN1803090001	2018.03.09	姚世明
A4	EN1309130333	2013.09.13	劉包根
A3	EN1202270041	2012.02.27	劉包根
A2	EN1105180133	2011.05.18	權生新
A1	EN1104120095	2011.04.12	權生新
A0	NEW RELEASE	2010.12.17	權生新

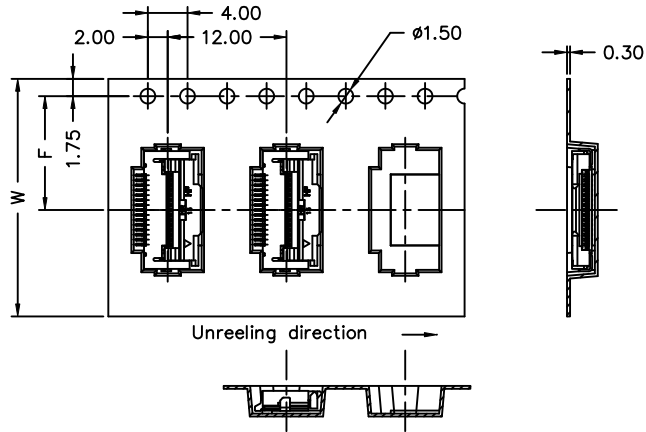
UNIT	SCALE	SHEET
mm	1:1	1 of 3
DRAWN BY		APPROVED BY
權生新		吳國維
2010.12.17		2010.12.17
GENERAL TOLERANCE		
X.X±0.25	ANGLE±	
X.XX±0.15		
X.XXX±0.05		

TITLE:
 0.50mm PITCH FFC/FPC
 CONNECTOR, 90° SMT TYPE,
 ZIF, BOTTOM CONTACT STYLE

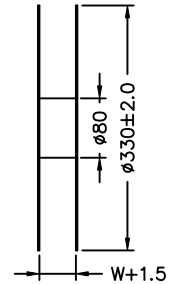
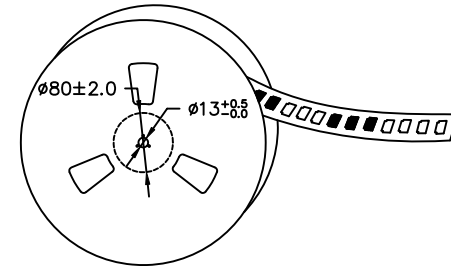
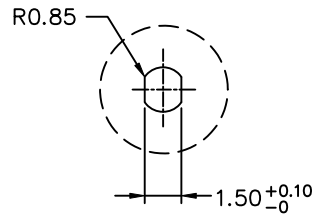
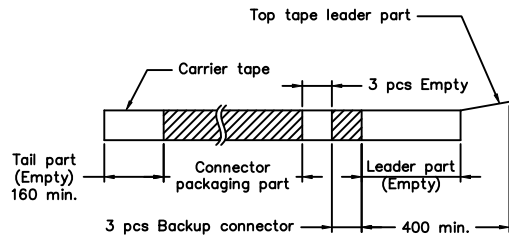
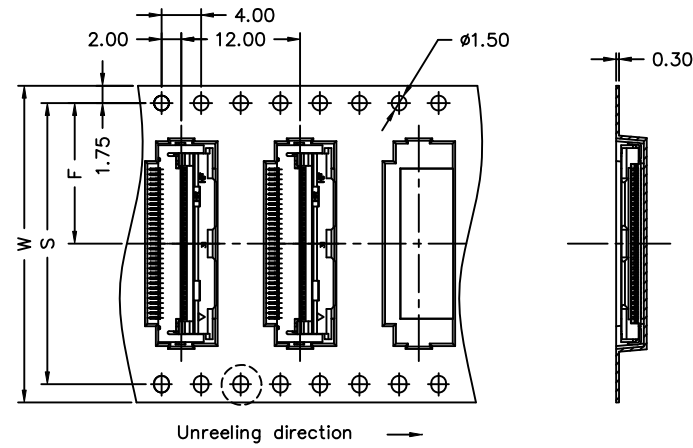
DRAW NO.: F0502WR-S-XPNXXXXXXX REV. B0



04~23 Contacts



24~60 Contacts

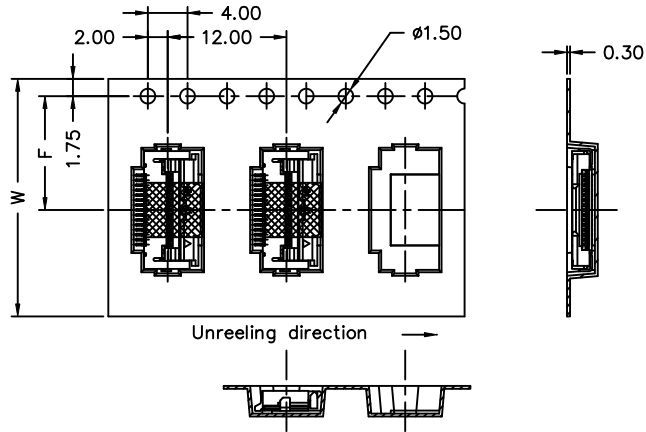


Number of Contacts	W±0.3	F±0.1	S±0.1	Q'ty/Reel	Number of Contacts	W±0.3	F±0.1	S±0.1	Q'ty/Reel	
04P	16	7.50	28.40	1,000	27P	32	14.20	28.40	1,000	
06P	16	7.50		28P	32	14.20	28.40	1,000		
07P	16	7.50		29P	32	14.20	28.40	1,000		
08P	16	7.50		30P	32	14.20	28.40	1,000		
09P	24	11.50		31P	32	14.20	28.40	1,000		
10P	24	11.50		32P	32	14.20	28.40	1,000		
11P	24	11.50		33P	32	14.20	28.40	1,000		
12P	24	11.50		34P	32	14.20	28.40	1,000		
13P	24	11.50		35P	44	20.20	40.40	1,000		
14P	24	11.50		36P	44	20.20	40.40	1,000		
15P	24	11.50		37P	44	20.20	40.40	1,000		
16P	24	11.50		38P	44	20.20	40.40	1,000		
17P	24	11.50		39P	44	20.20	40.40	1,000		
18P	24	11.50		40P	44	20.20	40.40	1,000		
19P	24	11.50		42P	44	20.20	40.40	1,000		
20P	24	11.50		45P	44	20.20	40.40	1,000		
21P	24	11.50		46P	44	20.20	40.40	1,000		
22P	24	11.50		50P	44	20.20	40.40	1,000		
23P	24	11.50		54P	44	20.20	40.40	1,000		
24P	32	14.20		28.40	1,000	55P	44	20.20	40.40	1,000
25P	32	14.20		28.40	1,000	60P	56	26.20	52.40	1,000
26P	32	14.20		28.40	1,000					

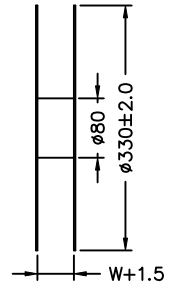
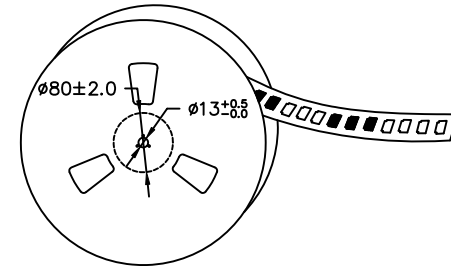
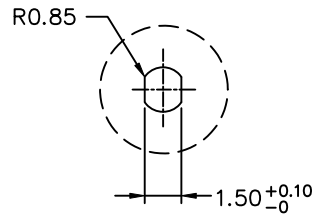
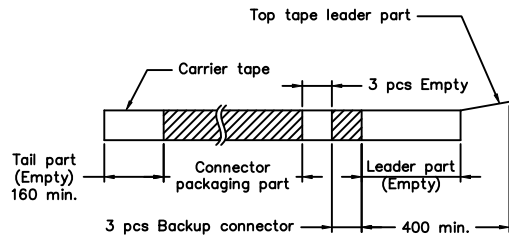
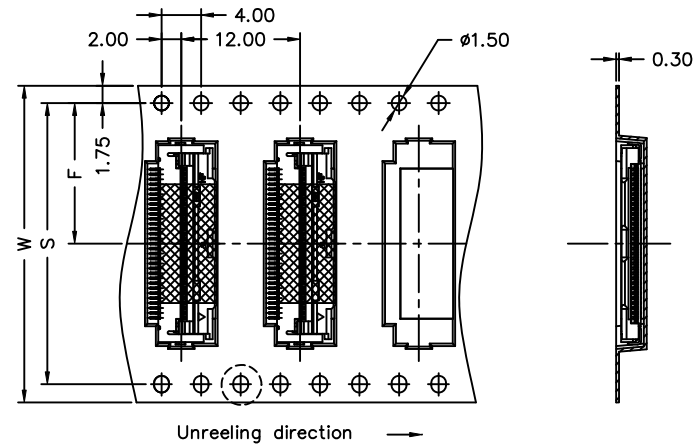
				UNIT	SCALE	SHEET	TITLE: 0.50mm PITCH FFC/FPC CONNECTOR, 90° SMT TYPE, ZIF, BOTTOM CONTACT STYLE, TAPING SPEC.
				mm	1 : 1	2 of 3	
B0	EN20200720374	2020.07.29	鄭小嬌	DRAWN BY	APPROVED BY	權生新 吳國維	2010.12.17 2010.12.17
A5	EN1803090001	2018.03.09	姚世明				
A4	EN1309130333	2013.09.13	劉包根	GENERAL TOLERANCE			
A3	EN1202270041	2012.02.27	劉包根				
A2	EN1105180133	2011.05.18	權生新	X. X±0.25	ANGLE±		DRAW NO. :
A1	EN1104120095	2011.04.12	權生新				
A0	NEW RELEASE	2010.12.17	權生新	X. XX±0.15			F0502WR-S-XPXXXXXXX
REV.	DESCRIPTION	DATE	NAME	X. XXX±0.05			



04~23 Contacts



24~60 Contacts



Number of Contacts	W±0.3	F±0.1	S±0.1	Q'ty/Reel	Number of Contacts	W±0.3	F±0.1	S±0.1	Q'ty/Reel	
04P	16	7.50		1,000	27P	32	14.20	28.40	1,000	
06P	16	7.50		1,000	28P	32	14.20	28.40	1,000	
07P	16	7.50		1,000	29P	32	14.20	28.40	1,000	
08P	16	7.50		1,000	30P	32	14.20	28.40	1,000	
09P	24	11.50		1,000	31P	32	14.20	28.40	1,000	
10P	24	11.50		1,000	32P	32	14.20	28.40	1,000	
11P	24	11.50		1,000	33P	32	14.20	28.40	1,000	
12P	24	11.50		1,000	34P	32	14.20	28.40	1,000	
13P	24	11.50		1,000	35P	44	20.20	40.40	1,000	
14P	24	11.50		1,000	36P	44	20.20	40.40	1,000	
15P	24	11.50		1,000	37P	44	20.20	40.40	1,000	
16P	24	11.50		1,000	38P	44	20.20	40.40	1,000	
17P	24	11.50		1,000	39P	44	20.20	40.40	1,000	
18P	24	11.50		1,000	40P	44	20.20	40.40	1,000	
19P	24	11.50		1,000	42P	44	20.20	40.40	1,000	
20P	24	11.50		1,000	45P	44	20.20	40.40	1,000	
21P	24	11.50		1,000	46P	44	20.20	40.40	1,000	
22P	24	11.50		1,000	50P	44	20.20	40.40	1,000	
23P	24	11.50		1,000	54P	44	20.20	40.40	1,000	
24P	32	14.20		28.40	1,000	55P	44	20.20	40.40	1,000
25P	32	14.20		28.40	1,000	60P	56	26.20	52.40	1,000
26P	32	14.20		28.40	1,000					

				UNIT	SCALE	SHEET	TITLE: 0.50mm PITCH FFC/FPC CONNECTOR, 90° SMT TYPE, ZIF, BOTTOM CONTACT STYLE, TAPING SPEC.
				mm	1 : 1	3 of 3	
B0	EN20200720374	2020.07.29	鄭小嬌	DRAWN BY	APPROVED BY		DRAW NO. : F0502WR-S-XPXXXXXXX
A5	EN1803090001	2018.03.09	姚世明	權生新	吳國維		
A4	EN1309130333	2013.09.13	劉包根	GENERAL TOLERANCE		ANGLE±	
A3	EN1202270041	2012.02.27	劉包根	X.X±0.25			
A2	EN1105180133	2011.05.18	權生新	X.XX±0.15			REV. BO
REV.	DESCRIPTION	DATE	NAME	X.XXX±0.05			