

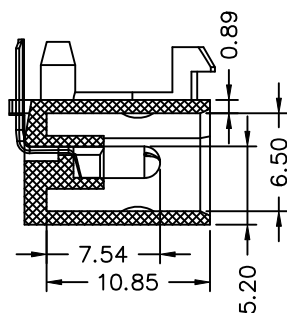
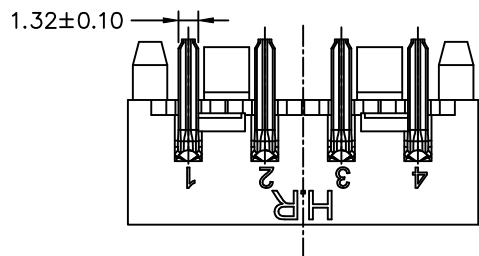
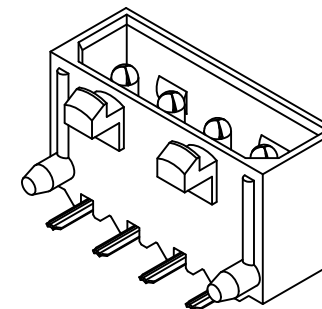
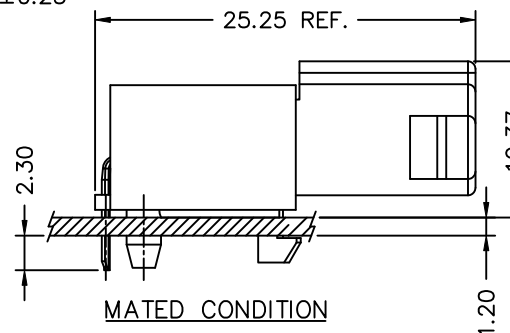
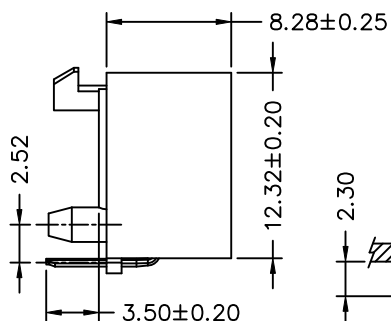
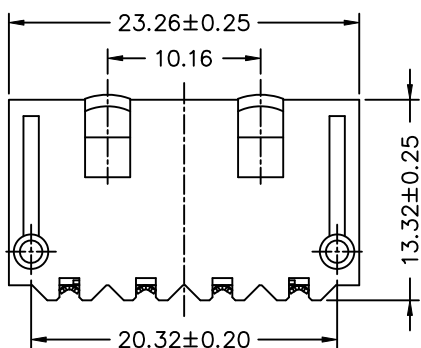
Ordering code

C5080	WR	F	04P	N	X	X	XX	N	00	B
①	②	③	④	⑤	⑥	⑦	⑧	⑨	⑩	⑪

① Series No.
 ② Connector type: WR=Right angle
 ③ F=With Peg
 ④ No. of circuits
 ⑤ N=Halogen Free
 ⑥ Material: 0=Nylon66 UL94V-0; 2=Nylon66 UL94V-2
 ⑦ Color: B=Black N=Natural W=White
 ⑧ Plating code for contacts: T1=Tin-plated
 ⑨ Plating code: N=Non-plating
 ⑩ Option code: 00=Standard
 ⑪ Packing code: B=Tray

SPECIFICATIONS

Current Rating: 10A AC,DC
 Voltage Rating: 250V AC,DC
 Temperature Range: -25°C ~ +85°C
 Contact Resistance: 10mΩ Max
 Insulation Resistance: 1000MΩ Min
 Withstanding Voltage: 1500V AC/minute
 Pin Material: Brass



				燦達電子工業股份有限公司 JOINT TECH ELECTRONIC IND. CO., LTD.				
		UNIT	SCALE	SHEET		TITLE:		
		mm	1:1	1 of 1				
		DRAWN BY	APPROVED BY		P/N: C5080WR-F-04P 5.08mm PITCH 90° WAFER			
		歐陽小強	董正一					
		2007.04.25	2007.04.25					
		GENERAL TOLERANCE				DRAW NO.: C5080WR-F-04PNXXXXXXXXX		
A1	ER20191126083	2019.11.26	李華明	X.X±0.25	ANGLE±			
A0	NEW RELEASE	2018.05.02	熊秋蘭	X.XX±0.15				
REV.	DESCRIPTION	DATE	NAME	X.XXX±0.05				