

02~03P

Ordering code

C1250	HM	XP	N	0	W	NP	N	00	G
①	②	③	④	⑤	⑥	⑦	⑧	⑨	⑩

① Series No.  
 ② Connector type: H=Housing  
 ③ No. of circuits  
 ④ N=Halogen Free  
 ⑤ Material: 0=Nylon 66-V0  
 ⑥ Color: W=White  
 ⑦ Plating code: NP=Non-plating  
 ⑧ Plating code: N=Non-plating  
 ⑨ Option code: 00=Standard  
 ⑩ Packing code: G=Bag

SPECIFICATIONS

Current Rating: 1A AC,DC  
 Voltage Rating: 125V AC,DC  
 Temperature Range: -25°C ~ +85°C  
 Contact Resistance: 20mΩ Max.  
 Insulation Resistance: 100MΩ Min.  
 Withstanding Voltage: 500V AC/minute  
 Material: NY66,UL94V-0  
 Color: White

A

A

B

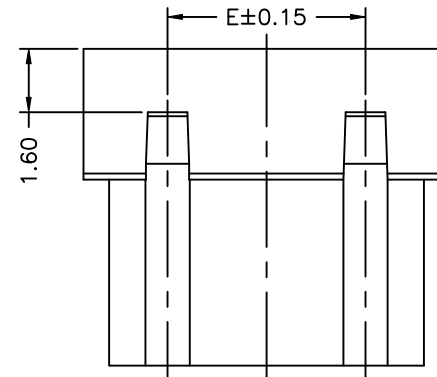
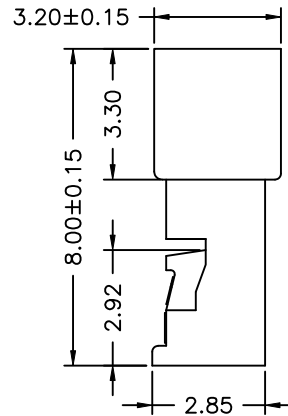
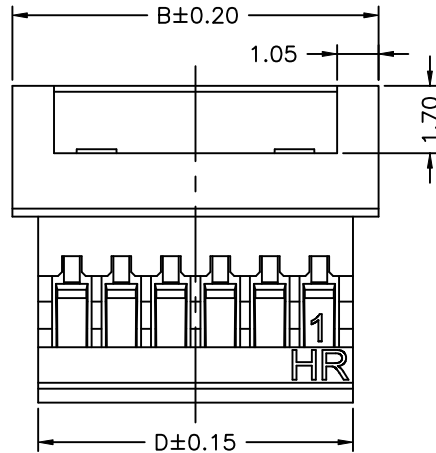
B

C

C

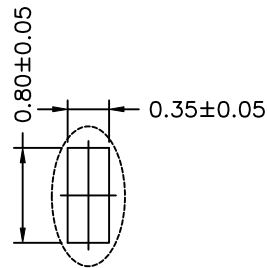
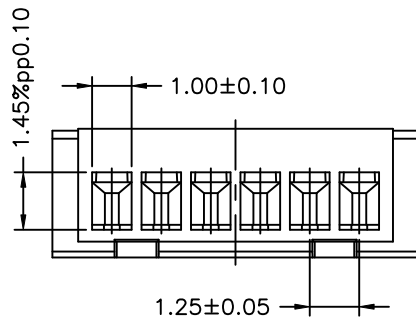
D

D



04~16P

Circuit No.	Dimensions				
	A	B	C	D	E
02P	1.25	4.25	3.05	2.95	
03P	2.50	5.50	4.30	4.20	
04P	3.75	6.75	5.55	5.45	2.50
05P	5.00	8.00	6.80	6.70	3.75
06P	6.25	9.25	8.05	7.95	5.00
07P	7.50	10.50	9.30	9.20	6.25
08P	8.75	11.75	10.55	10.45	7.50
09P	10.00	13.00	11.80	11.70	8.75
10P	11.25	14.25	13.05	12.95	10.00
11P	12.50	15.50	14.30	14.20	11.25
12P	13.75	16.75	15.55	15.45	12.50
13P	15.00	18.00	16.80	16.70	13.75
14P	16.25	19.25	18.05	17.95	15.00
15P	17.50	20.50	19.30	19.20	16.25
16P	18.75	21.75	20.55	20.45	17.50



DETAIL "A"  
SCALE 3:1

				燦達電子工業股份有限公司 JOINT TECH ELECTRONIC IND. CO., LTD.	
		UNIT	SCALE	SHEET	TITLE:
		mm	1:1	1 of 1	1.25mm PITCH HOUSING-PLUG
		DRAWN BY 鄒彬 2010.05.20	APPROVED BY 童冠銘 2010.05.20		
A2	PRELIMINARY RELEASE	2020.06.19	黃潮	GENERAL TOLERANCE X. X±0.25 X. XX±0.15 X. XXX±0.05	
A1	EN1805080006	2018.05.08	周傑亮		
A0	NEW RELEASE	2010.05.20	鄒彬	DRAW NO.: C1250HM-XPNXXXXXXXXX	
REV.	DESCRIPTION	DATE	NAME		

1

2

3

4