

A

B

C

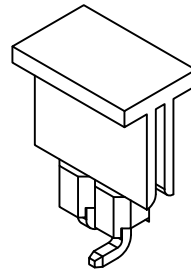
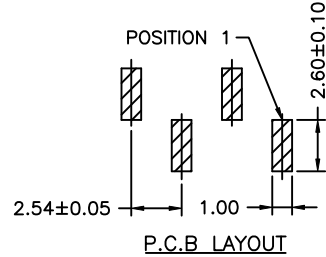
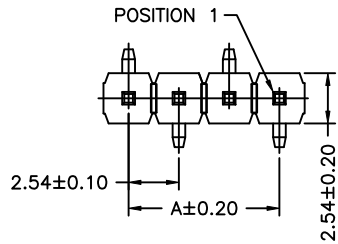
D

A

B

C

D



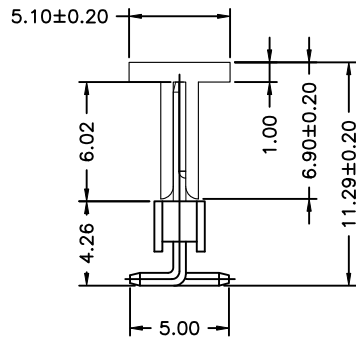
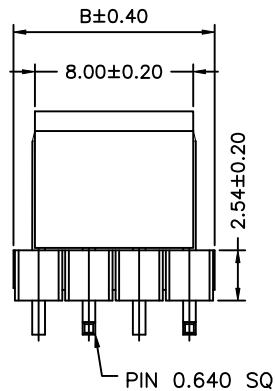
P/N LEGEND

A2545	WV	S	XP	R	6	B	G1	N	01	L
①	②	③	④	⑤	⑥	⑦	⑧	⑨	⑩	⑪

① Series No.  
 ② Connector type: WV=Vertical  
 ③ S=SMT  
 ④ No. of circuits  
 ⑤ R=ROHS  
 ⑥ Material: 6=Nylon 6T,UL94-V0  
 ⑦ Color: B=Black  
 ⑧ Plating code for contacts: G1=Gold-Flash 1u"  
 ⑨ Plating code: N=Non-plating  
 ⑩ Option code:01=01 Type  
 ⑪ Packing code: L=Tape Reel (With Cap or Mylar)

SPECIFICATIONS

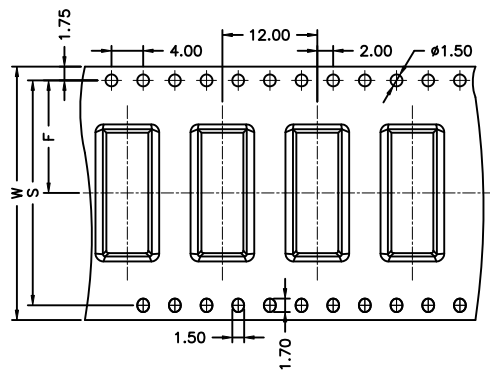
Current Rating: 3A AC,DC  
 Voltage Rating: 250V AC,DC  
 Temperature Range: -25°C ~ +85°C  
 Contact Resistance: 20mΩ Max  
 Insulation Resistance: 1000MΩ Min  
 Withstanding Voltage: 1500V AC/minute  
 Pin Material: Brass  
 Cap: LCP,UL94V-0,Black



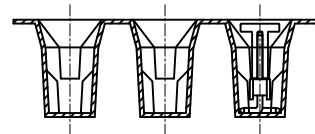
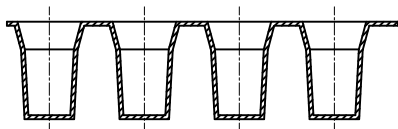
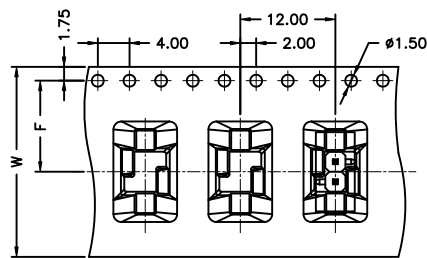
Circuit No.	Dimensions		Circuit No.	Dimensions		Circuit No.	Dimensions		Circuit No.	Dimensions		Circuit No.	Dimensions	
	A	B		A	B		A	B		A	B		A	B
02P	2.54	5.08	11P	25.40	27.94	20P	48.26	50.80	29P	71.12	73.66	38P	93.98	96.52
03P	5.08	7.62	12P	27.94	30.48	21P	50.80	53.34	30P	73.66	76.20	39P	96.52	99.06
04P	7.62	10.16	13P	30.48	33.02	22P	53.34	55.88	31P	76.20	78.74	40P	99.06	101.60
05P	10.16	12.70	14P	33.02	35.56	23P	55.88	58.42	32P	78.74	81.28			
06P	12.70	15.24	15P	35.56	38.10	24P	58.42	60.96	33P	81.28	83.82			
07P	15.24	17.78	16P	38.10	40.64	25P	60.96	63.50	34P	83.82	86.36			
08P	17.78	20.32	17P	40.64	43.18	26P	63.50	66.04	35P	86.36	88.90			
09P	20.32	22.86	18P	43.18	45.72	27P	66.04	68.58	36P	88.90	91.44			
10P	22.86	25.40	19P	45.72	48.26	28P	68.58	71.12	37P	91.44	93.98			

				燦達電子工業股份有限公司 JOINT TECH ELECTRONIC IND. CO., LTD.			
B2	EN20200916431	2020.09.16	吳清	UNIT	SCALE	SHEET	TITLE:  2.54mm PITCH 180° WAFER-SMT TYPE
B1	EN1906100001	2019.06.10	刘建芳	mm	1 : 1	1 of 2	
B0	EN1811200003	2018.11.20	刘建芳	DRAWN BY	APPROVED BY		
A5	EN1810040002	2018.10.04	徐富永	周傑亮	謝瑞清		
A4	EN1308230300	2013.08.23	郭木思	2013.03.11	2013.03.11		
A3	EN1308080273	2013.08.07	郭木思	GENERAL TOLERANCE			
A2	EN1307120236	2013.07.09	郭木思	ANGLE±			
A1	EN1304080103	2013.04.01	周傑亮	X. X±0.25			
A0	NEW RELEASE	2013.03.11	周傑亮	X. XX±0.15			
REV.	DESCRIPTION	DATE	NAME	X. XXX±0.05	DRAW NO. : A2545WV-S-XP6BXXN01L		REV. B2

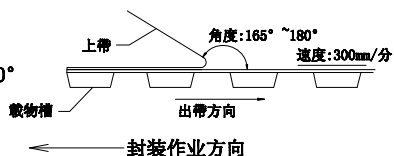
06~32 Contacts



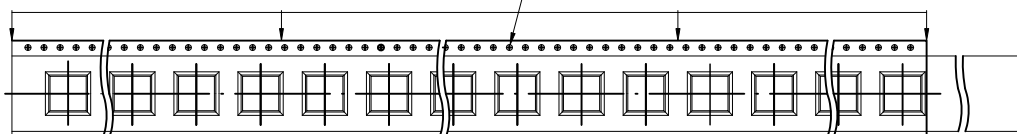
02~05 Contacts



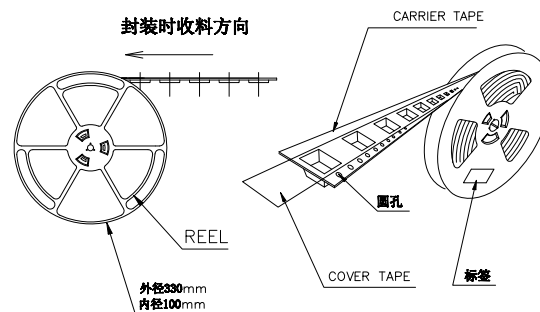
拉開上帶力量:10~70g  
拉開上帶速度:300mm/分  
拉開上帶角度:165°~180°



前段空0.5米CARRIER 中間下料 450 PCS 圓錐孔 後段空0.25米CARRIER 後段空0.25米COVER



封装时收料方向



上下帶匹配表

W12	5.3
W16	13.3
W24	21.3
W32	25.5
W44	37.50
W56	49.50
W72	65.50
W88	81.50
W104	97.5

Number of Contacts	W±0.3	F±0.1	S±0.1	Q'ty/Reel
02P~05P	24.00	11.50		450
06P~07P	32.00	14.20	28.40	450
08P~12P	44.00	20.20	40.40	450
13P~16P	56.00	26.20	52.40	450
17P~22P	72.00	34.20	68.40	450
23P~28P	88.00	42.20	84.40	450
29P~35P	104.00	50.20	100.40	450

NOTE:  
Material:Transparent  
Anti-static Polystyrene.

B2	EN20200916431	2020.09.16	吳清	UNIT	SCALE	SHEET	TITLE: <b>2.54mm PITCH 180° WAFER-SMT TYPE TAPING SPEC.</b>
B1	EN1906100001	2019.06.10	劉建芳	mm	1:1	2 of 2	
B0	EN1811200003	2018.11.20	劉建芳	DRAWN BY	APPROVED BY		
A5	EN1810040002	2018.10.04	徐富永	周傑亮	謝瑞清		
A4	EN1308230300	2013.08.23	郭木思	GENERAL TOLERANCE			
A3	EN1308080273	2013.08.07	郭木思	X.X±0.25	ANGLE±		DRAW NO.: A2545WV-S-XPR6BXXN01L
A2	EN1307120236	2013.07.09	郭木思	X.XX±0.15			
A1	EN1304080103	2013.04.01	周傑亮	X.XXX±0.05			
A0	NEW RELEASE	2013.03.11	周傑亮			REV. B2	
REV.	DESCRIPTION	DATE	NAME				