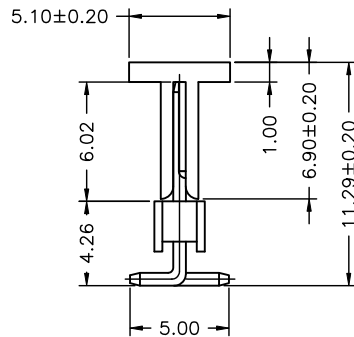
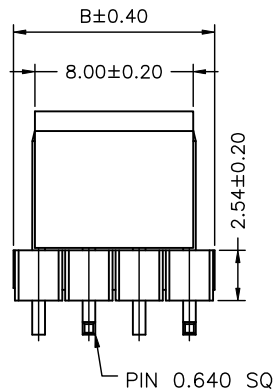


P/N LEGEND

- A2545 WV-S-XP R 6 B G1 N 01 L**  
 ① ② ③ ④ ⑤ ⑥ ⑦ ⑧ ⑨ ⑩ ⑪
- ① Series No.
  - ② Connector type: WV=Vertical
  - ③ S=SMT
  - ④ No. of circuits
  - ⑤ R=ROHS
  - ⑥ Material: 6=Nylon 6T,UL94-V0
  - ⑦ Color: B=Black
  - ⑧ Plating code for contacts: G1=Gold-Flash
  - ⑨ Plating code: N=Non-plating
  - ⑩ Option code:01=01 Type
  - ⑪ Packing code: L=Tape Reel (With Cap or Mylar)

SPECIFICATIONS

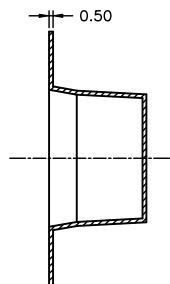
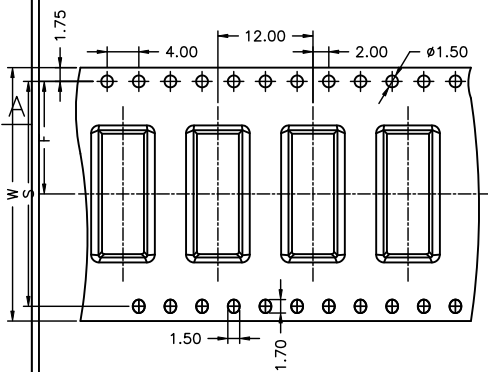
Current Rating: 3A AC,DC  
 Voltage Rating: 250V AC,DC  
 Temperature Range: -25°C ~ +85°C  
 Contact Resistance: 20mΩ Max  
 Insulation Resistance: 1000MΩ Min  
 Withstanding Voltage: 1500V AC/minute  
 Pin Material: Brass  
 Cap: LCP,UL94V-0,Black



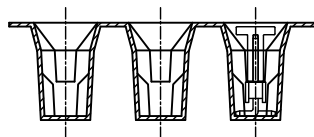
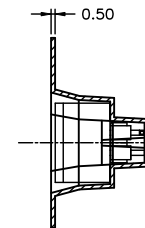
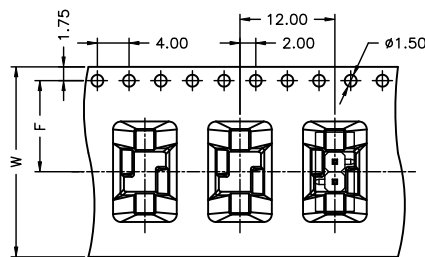
Circuit No.	Dimensions		Circuit No.	Dimensions		Circuit No.	Dimensions		Circuit No.	Dimensions		Circuit No.	Dimensions	
	A	B		A	B		A	B		A	B		A	B
02P	2.54	5.08	11P	25.40	27.94	20P	48.26	50.80	29P	71.12	73.66	38P	93.98	96.52
03P	5.08	7.62	12P	27.94	30.48	21P	50.80	53.34	30P	73.66	76.20	39P	96.52	99.06
04P	7.62	10.16	13P	30.48	33.02	22P	53.34	55.88	31P	76.20	78.74	40P	99.06	101.60
05P	10.16	12.70	14P	33.02	35.56	23P	55.88	58.42	32P	78.74	81.28			
06P	12.70	15.24	15P	35.56	38.10	24P	58.42	60.96	33P	81.28	83.82			
07P	15.24	17.78	16P	38.10	40.64	25P	60.96	63.50	34P	83.82	86.36			
08P	17.78	20.32	17P	40.64	43.18	26P	63.50	66.04	35P	86.36	88.90			
09P	20.32	22.86	18P	43.18	45.72	27P	66.04	68.58	36P	88.90	91.44			
10P	22.86	25.40	19P	45.72	48.26	28P	68.58	71.12	37P	91.44	93.98			

				燦達電子工業股份有限公司 JOINT TECH ELECTRONIC IND. CO., LTD.				
				UNIT	SCALE	SHEET	TITLE:  <b>2.54mm PITCH</b> <b>180° WAFER-SMT TYPE</b>	
				mm	1 : 1	1 of 2		
				DRAWN BY	APPROVED BY			
				周傑亮	謝瑞清			
				2013.03.11	2013.03.11			
B0	EN1811200003	2018.11.20	刘建芳	GENERAL TOLERANCE X. X±0.25 X. XX±0.15 X. XXX±0.05				
A5	EN1810040002	2018.10.04	徐富永					
A4	EN1308230300	2013.08.23	郭木思					
A3	EN1308080273	2013.08.07	郭木思					
A2	EN1307120236	2013.07.09	郭木思					
A1	EN1304080103	2013.04.01	周傑亮	ANGLE±				
A0	NEW RELEASE	2013.03.11	周傑亮					
REV.	DESCRIPTION	DATE	NAME					
							DRAW NO. :	REV. BO
							A2545WV-S-XPR6BG1N01L	

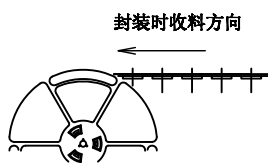
06~32 Contacts



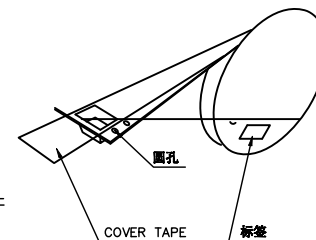
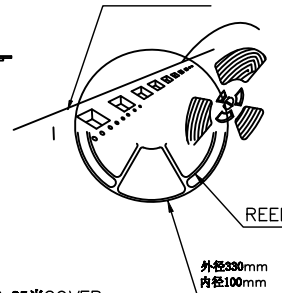
02~05 Contacts



封装时收料方向

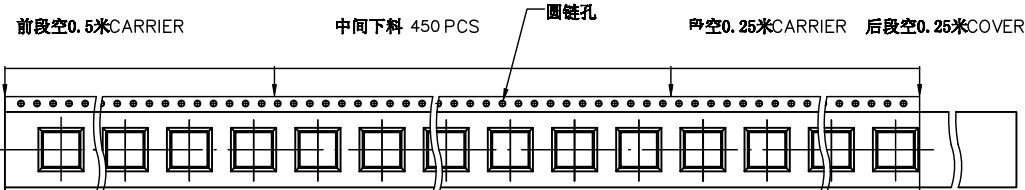


CARRIER TAPE



上下带匹配表	
W12	5.3
W16	13.3
W24	21.3
W32	25.5
W44	37.50
W56	49.50
W72	65.50
W88	81.50
W104	97.5

拉開上帶速度: 300mm/分  
 拉開上帶角度: 165° ~ 180°  
 上帶 角反: 165 180 速度: 300mm/分  
 載物槽 出帶方向  
 封装作业方向  
 中段下料 450 PCS  
 圆链孔



Number of Contacts	W±0.3	F±0.1	S±0.1	Q'ty/Reel
02P~05P	24.00	11.50		450
06P~07P	32.00	14.20	28.40	450
08P~12P	44.00	20.20	40.40	450
13P~16P	56.00	26.20	52.40	450
17P~22P	72.00	34.20	68.40	450
23P~28P	88.00	42.20	84.40	450
29P~35P	104.00	50.20	100.40	450

NOTE:  
 Material: Transparent  
 Anti-static Polystyrene.

				燦達電子工業股份有限公司 JOINT TECH ELECTRONIC IND. CO., LTD.			
				UNIT	SCALE	SHEET	TITLE:
				mm	1 : 1	2 of 2	
B0	EN181120003	2018.11.20	刘建芳	DRAWN BY	周傑亮	APPROVED BY	謝瑞清
A5	EN1810040002	2018.10.04	徐富永				
A4	EN1308230300	2013.08.23	郭木思	2013.03.11		2013.03.11	
A3	EN1308080273	2013.08.07	郭木思	GENERAL TOLERANCE			
A2	EN1307120236	2013.07.09	郭木思	X. X±0.25			
A1	EN1304080103	2013.04.01	周傑亮	X. XX±0.15			
A0	NEW RELEASE	2013.03.11	周傑亮	X. XXX±0.05			
REV.	DESCRIPTION	DATE	NAME				

TITLE: 2.54mm PITCH  
 180° WAFER-SMT TYPE  
 TAPING SPEC.  
 DRAW NO.: A2545WV-S-XPR6BG1N01L REV. B0

70g

B

C

D

A

B

C

D