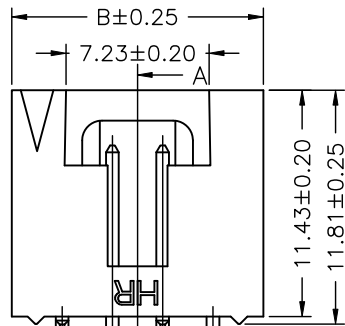
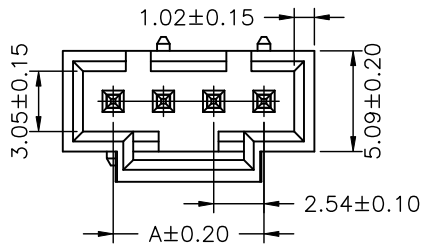
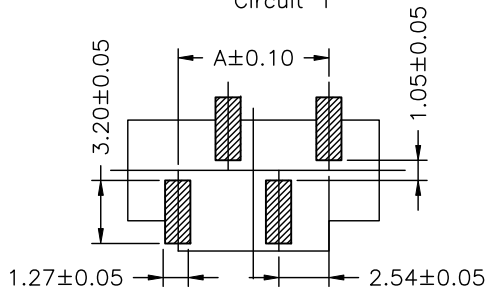


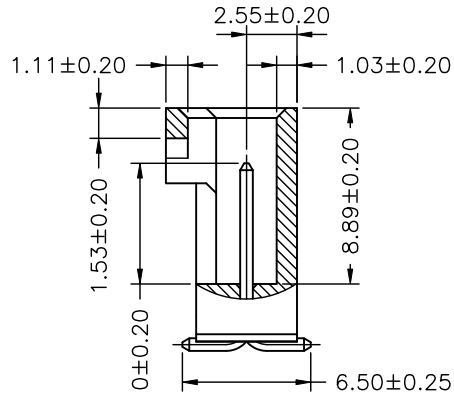
03P



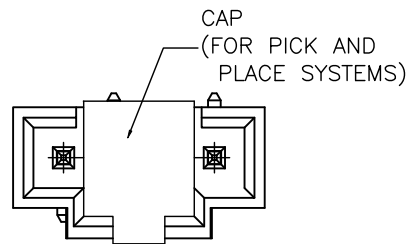
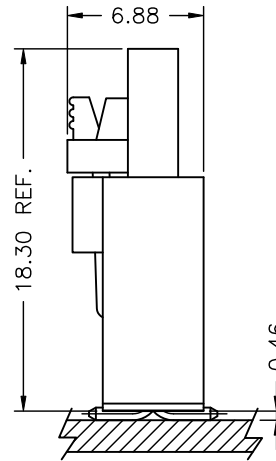
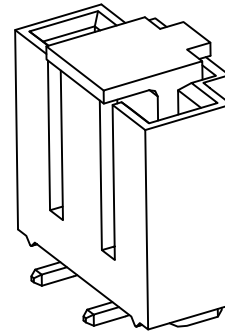
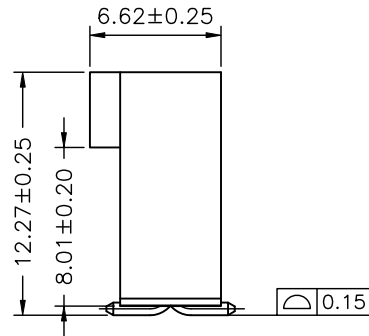
PIN 0.64 SQ,
Circuit 1



PCB LAYOUT
(TOP VIEW)



SEC:A-A



Ordering code

A2541 WV-S-XP N 6 B XX N XX L
① ② ③ ④ ⑤ ⑥ ⑦ ⑧ ⑨ ⑩ ⑪

- ① Series No.
- ② Connector type: WV=Vertical
- ③ Mounting type: S=SMT
- ④ No. of circuits
- ⑤ N=Halogen Free
- ⑥ Material: 6=Nylon 6T-V0
- ⑦ Color: B=Black
- ⑧ Plating code for contacts: T1=Tin-plated
- ⑨ Plating code: N=Non-plating
- ⑩ Option code: 00=Standard,01=Mattn Tin-plated
- ⑪ Packing code: L=Tape&Reel(With cap)

SPECIFICATIONS

Current Rating: 3A AC,DC
Voltage Rating: 250V AC,DC
Temperature Range: $-25^{\circ}\text{C} \sim +85^{\circ}\text{C}$
Contact Resistance: 20mΩ Max
Insulation Resistance: 1000MΩ Min
Withstanding Voltage: 1500V AC/minute
Pin Material: Brass
Material: Nylon 6T,UL94V-0
Color: Black

Circuit No.	Dimensions	
	A	B
03P	5.08	10.17
04P	7.62	12.71
05P	10.16	15.25
06P	12.70	17.79
07P	15.24	20.33
08P	17.78	22.87
09P	20.32	25.41
10P	22.86	27.95
11P	25.40	30.49
12P	27.94	33.03



燦達電子工業股份有限公司
JOINT TECH ELECTRONIC IND. CO., LTD.

UNIT SCALE SHEET
mm 1 of 2

DRAWN BY 周傑亮
2014.07.15

APPROVED BY 陳彥兆
2014.07.15

GENERAL TOLERANCE

A1 REVISE 2018.08.30 焦秋蘭 X.X±0.25 ANGLE±
A0 NEW RELEASE 2014.07.22 周傑亮 X.XX±0.15
REV. DESCRIPTION DATE NAME X.XXX±0.05

TITLE:

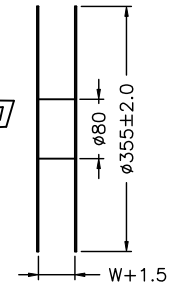
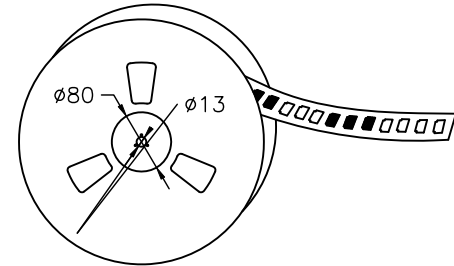
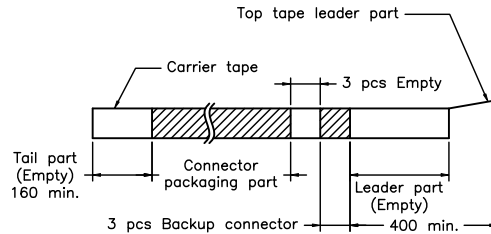
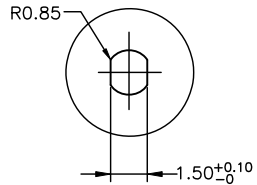
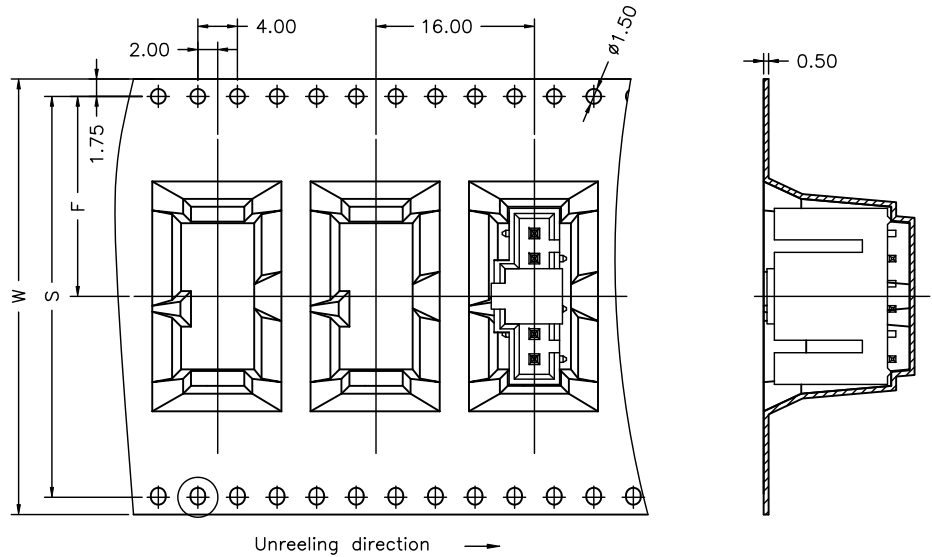
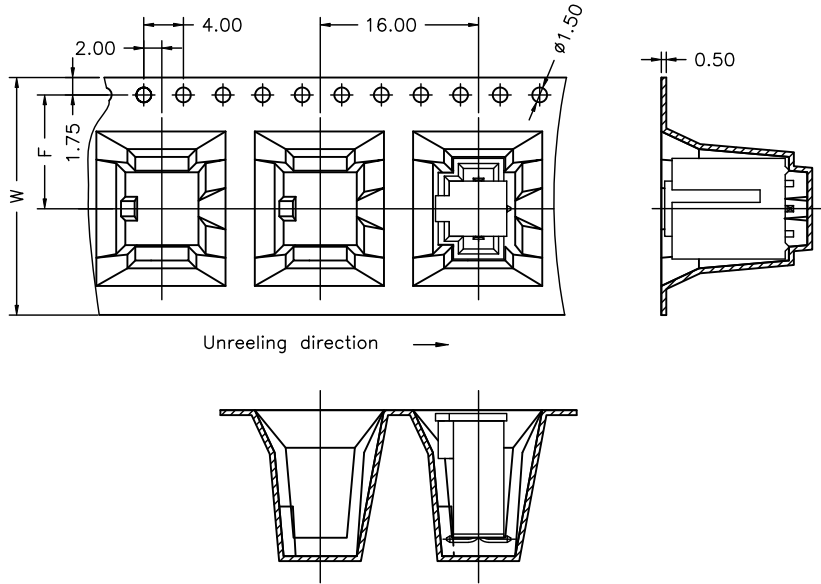
2.54mm PITCH
180° WAFER-SMT TYPE

DRAW NO.: A2541WV-S-XPXXXXXXXL REV. A1



03 Contacts

04~12 Contacts



Number of Contacts	W±0.3	F±0.1	S±0.1	Q'ty/Reel
03P	24.00	11.50		300
04P				300
05P	32.00	14.20	28.40	300
06P				300
07P				300
08P	44.00	20.20	40.40	300
09P				300
10P				300
11P	56.00	26.20	52.40	300
12P				300

NOTE:
Material: Transparent
Anti-static Polystyrene.

				燦達電子工業股份有限公司 JOINT TECH ELECTRONIC IND. CO., LTD.	
		UNIT	SCALE	SHEET	
		mm	1:1	2 of 2	
		DRAWN BY		APPROVED BY	
		周傑亮		陳彥兆	
		2014.07.22		2014.07.22	
GENERAL TOLERANCE					
A1	REVISE	2018.08.30	焦秋蘭	X. X±0.25	ANGLE±
A0	NEW RELEASE	2014.07.22	周傑亮	X. XX±0.15	
REV.	DESCRIPTION	DATE	NAME	X. XXX±0.05	
				TITLE:	
				2.54mm PITCH 180° WAFER-SMT TYPE	
				DRAW NO. :	
				A2541WV-S-XPNXXXXXXXXL	
				REV. A1	