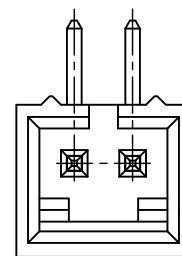


03P



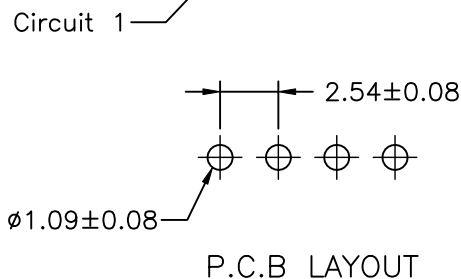
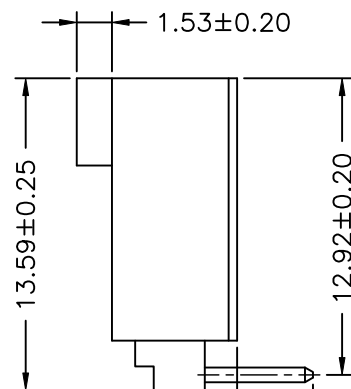
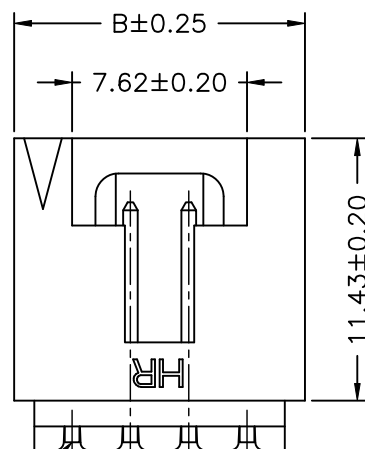
02P

SPECIFICATIONS

Current Rating: 3A AC,DC  
 Voltage Rating: 250V AC,DC  
 Temperature Range: -25°C ~ +85°C  
 Contact Resistance: 20mΩ Max  
 Insulation Resistance: 1000MΩ Min  
 Withstanding Voltage: 1500V AC/minute  
 Pin Material: Brass/Gold-flash  
 Material: PBT30%GF,UL94V-0  
 Color: Black

Ordering Information & Dimensions

PART NO.	Dimensions	
	A	B
A2541WR-02P	2.54	7.59
A2541WR-03P	5.08	10.13
A2541WR-04P	7.62	12.67
A2541WR-05P	10.16	15.21
A2541WR-06P	12.70	17.75
A2541WR-07P	15.24	20.29
A2541WR-08P	17.78	22.83
A2541WR-09P	20.32	25.37
A2541WR-10P	22.86	27.91
A2541WR-11P	25.40	30.45
A2541WR-12P	27.94	32.99



P.C.B LAYOUT

				燦達電子工業股份有限公司 JOINT TECH ELECTRONIC IND. CO., LTD.			
UNIT		SCALE	SHEET		TITLE:		
mm		1 : 1	1 of 1		2.54mm PITCH 90° WAFER		
DRAWN BY		APPROVED BY		DRAW NO. : A2541WR-XP			
董正一		董正一					REV. B1
2001.02.01		2001.02.01					
GENERAL TOLERANCE				ANGLE±			
B1	EN1904090002	2019.03.26	焦秋蘭	X.X±0.25			
B0	NEW RELEASE	2006.04.10		X.XX±0.15			
REV.	DESCRIPTION	DATE	NAME	X.XXX±0.05			