

Ordering code

A2541	WR	SF	XP	N	L	B	XX	N	00	X
①	②	③	④	⑤	⑥	⑦	⑧	⑨	⑩	⑪

① Series No.  
 ② Connector type: WR=Right angle  
 ③ Mounting type: SF=SMT with boss  
 ④ No. of circuits  
 ⑤ N=Halogen Free  
 ⑥ Material: L=LCP  
 ⑦ Color: B=Black  
 ⑧ Plating code for contacts:  
 T1=Matte Tin-plated G1=Gold-flash  
 ⑨ Plating code for solder tabs: N=Non-plating  
 ⑩ Option code: 00=Standard  
 ⑪ Packing code: R=Tape & Reel(Without Cap or mylar)  
 L=Tape & Reel(With Cap or mylar)

SPECIFICATIONS

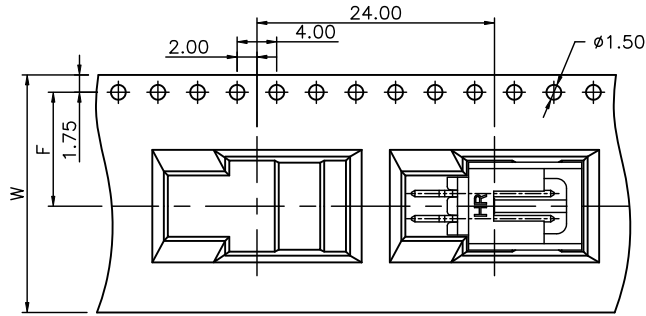
Current Rating: 3A AC,DC  
 Voltage Rating: 250V AC,DC  
 Temperature Range: -25°C ~ +85°C  
 Contact Resistance: 20mΩ Max.  
 Insulation Resistance: 1000MΩ Min.  
 Withstanding Voltage: 1500V AC/minute  
 Pin Material: Brass/Matte Tin-plated or Gold-flash

Circuit No.	Dimensions			
	A	B	C	D
02P	2.54	8.89	---	5.33
03P	5.08	11.43	8.12	7.87
04P	7.62	13.97	10.66	10.41
05P	10.16	16.51	13.20	12.95
06P	12.70	19.05	15.74	15.49
07P	15.24	21.59	18.28	18.03
08P	17.78	24.13	20.82	20.57
09P	20.32	26.67	23.36	23.11
10P	22.86	29.21	25.90	25.65
11P	25.40	31.75	28.44	28.19
12P	27.94	34.29	30.98	30.73

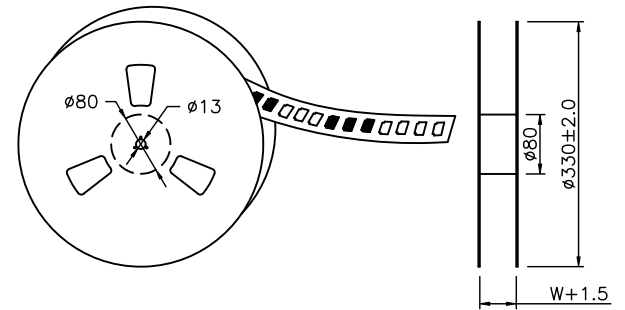
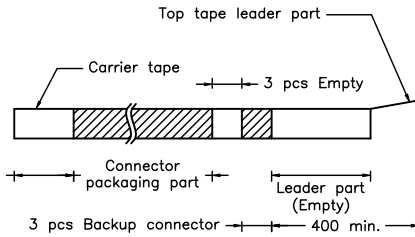
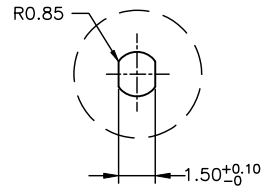
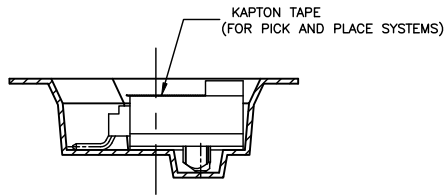
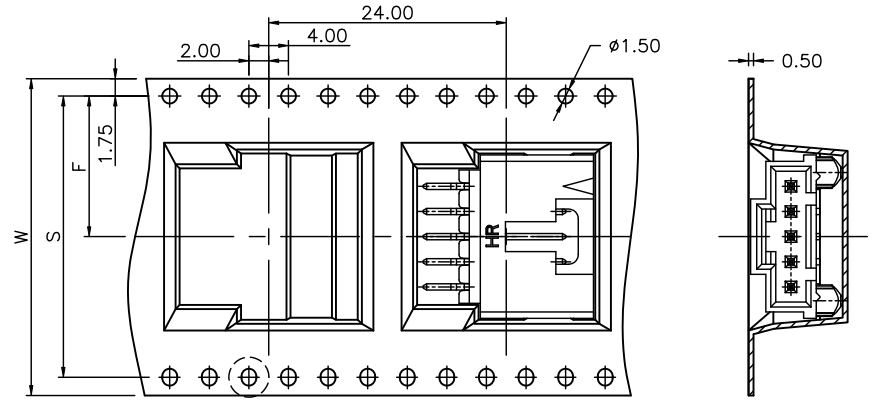
				燦達電子工業股份有限公司 JOINT TECH ELECTRONIC IND. CO., LTD.	
UNIT		SCALE	SHEET		TITLE:
mm		1 : 1	1 of 2		
DRAWN BY		APPROVED BY		2.54mm PITCH 90° WAFER-SMT TYPE	
郭木恩		謝瑞清			
2012.12.06		2012.12.06		DRAW NO. : A2541WR-SF-XPXXXXXXX	
GENERAL TOLERANCE					
A2	EN1711290001	2017.12.04	向瑞	X.X±0.25	ANGLE±
A1	ADD PLATING	2016.05.11	徐富永	X.XX±0.15	
A0	NEW RELEASE	2012.12.06	郭木恩	X.XXX±0.05	
REV.	DESCRIPTION	DATE	NAME		



02~04 Contacts



05~12 Contacts



Part No.	Note
A2541WR-SF-XPNLBXXNOOR	Tape & Reel(Without Cap or mylar)
A2541WR-SF-XPNLBXXNOOL	Tape & Reel(With Cap or mylar)

Number of Contacts	W±0.3	F±0.1	S±0.1	Q'ty/Reel
02P	24	11.50	/	250
03P	24	11.50		250
04P	24	11.50		250
05P	32	14.20	28.40	250
06P	44	20.20	40.40	250
07P	44	20.20	40.40	250
08P	44	20.20	40.40	250
09P	44	20.20	40.40	250
10P	44	20.20	40.40	250
11P	56	26.20	52.40	250
12P	56	26.20	52.40	250

				燦達電子工業股份有限公司 JOINT TECH ELECTRONIC IND. CO., LTD.	
		UNIT	SCALE	SHEET	
		mm	1:1	2 of 2	
		DRAWN BY		APPROVED BY	
		郭木思		謝瑞清	
		2012.12.06		2012.12.06	
		GENERAL TOLERANCE			
A2	EN1711290001	2017.12.04	向瑞		
A1	ADD PLATING	2016.05.11	徐富永	X.X±0.25	ANGLE±
A0	NEW RELEASE	2012.12.06	郭木思	X.XX±0.15	
REV.	DESCRIPTION	DATE	NAME	X.XXX±0.05	
				TITLE:	
				2.54mm PITCH 90° WAFER-SMT TYPE, TAPING SPEC.	
				DRAW NO. :	
				A2541WR-SF-XPNXXXXXXX	
				REV. A2	