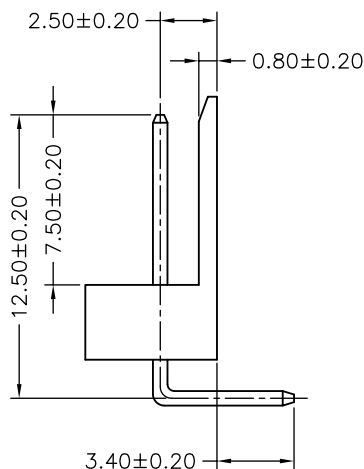
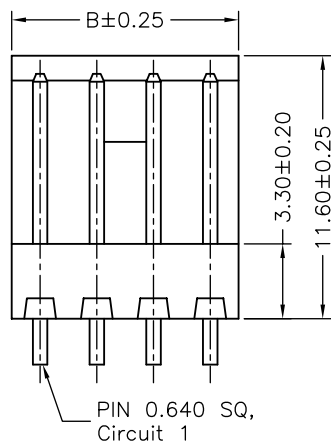
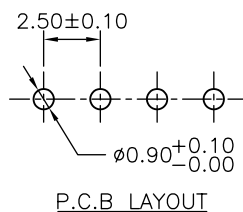
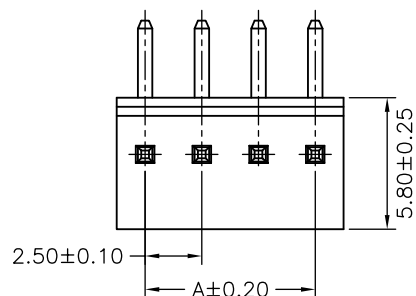


### SPECIFICATIONS

Current Rating: 3A AC,DC  
 Voltage Rating: 250V AC,DC  
 Temperature Range: -25°C ~ +85°C  
 Contact Resistance: 10mΩ Max  
 Insulation Resistance: 500MΩ Min  
 Withstanding Voltage: 800V AC/minute  
 Pin Material: Brass/Tin-plated  
 Material: Nylon 66,UL94V-0  
 Color: White



### Ordering Information & Dimensions

PART NO.	Dimensions	
	A	B
A2540WVR-02PN	2.50	5.00
A2540WVR-03PN	5.00	7.50
A2540WVR-04PN	7.50	10.00
A2540WVR-05PN	10.00	12.50
A2540WVR-06PN	12.50	15.00
A2540WVR-07PN	15.00	17.50
A2540WVR-08PN	17.50	20.00
A2540WVR-09PN	20.00	22.50
A2540WVR-10PN	22.50	25.00
A2540WVR-11PN	25.00	27.50
A2540WVR-12PN	27.50	30.00
A2540WVR-13PN	30.00	32.50
A2540WVR-14PN	32.50	35.00
A2540WVR-15PN	35.00	37.50

			<b>JOINT TECH ELECTRONIC IND. CO., LTD.</b> <b>JOY DAY INDUSTRIAL CO., LTD.</b>		
		UNIT	SCALE	SHEET	<b>2.50mm PITCH</b> <b>90° WAFER</b>
		mm		1 of 1	
		DRAWN BY	APPROVED BY		
		歐陽小強 2008.09.16	謝瑞清 2008.09.16		
		GENERAL TOLERANCE			DRAW NO. : A2540WVR-XPN
A0	NEW RELEASE	2008.09.16	X. X±0.25	ANGLE±	
REV.	DESCRIPTION	DATE	X. XX±0.15		
			X. XXX±0.05		REV. A0