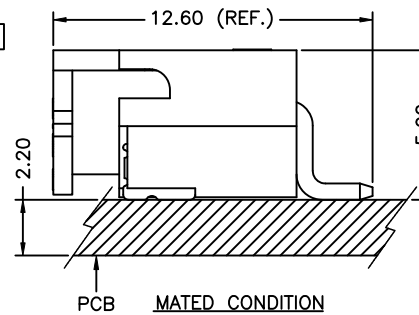
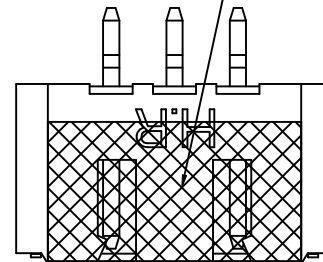


KAPTON TAPE  
(FOR PICK AND  
PLACE SYSTEMS)

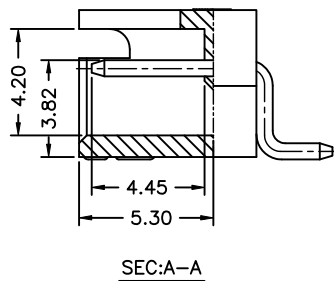
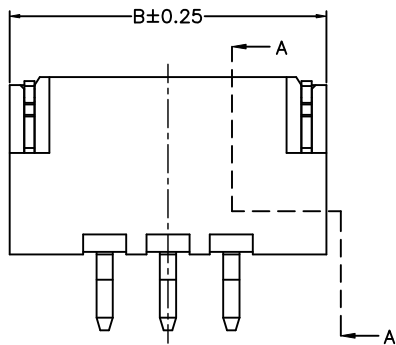
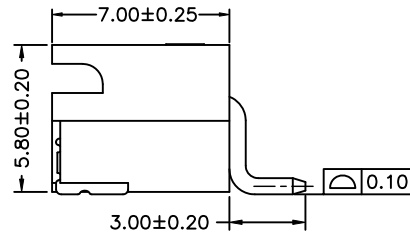
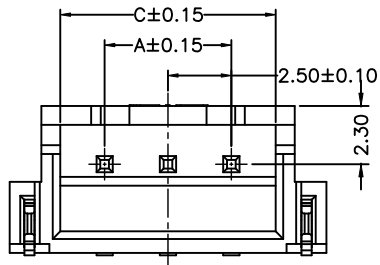


P/N LEGEND

A2501 WR-S-XP N L B T1 T 00 X										
①	②	③	④	⑤	⑥	⑦	⑧	⑨	⑩	⑪
① Series No.	② Connector type: WR=Right angle	③ Mounting type: S=SMT	④ No. of circuits	⑤ N=Halogen Free	⑥ Material: L=LCP	⑦ Color: B=Black	⑧ Plating code for contacts: T1=Tin-plated	⑨ Plating code for solder tabs: T=Matte Tin-plated	⑩ Option code: 00=Standard	⑪ Packing code:
	R=Tape & Reel(Without Cap or Mylar)	L=Tape & Reel(With Cap or Mylar)								

SPECIFICATIONS

Current Rating: 3A AC,DC  
Voltage Rating: 250V AC,DC  
Temperature Range: -25°C ~ +85°C  
Contact Resistance: 10mΩ Max  
Insulation Resistance: 1000MΩ Min  
Withstanding Voltage: 1000V AC/minute  
Pin Material: Brass  
Solder Tabs: Brass



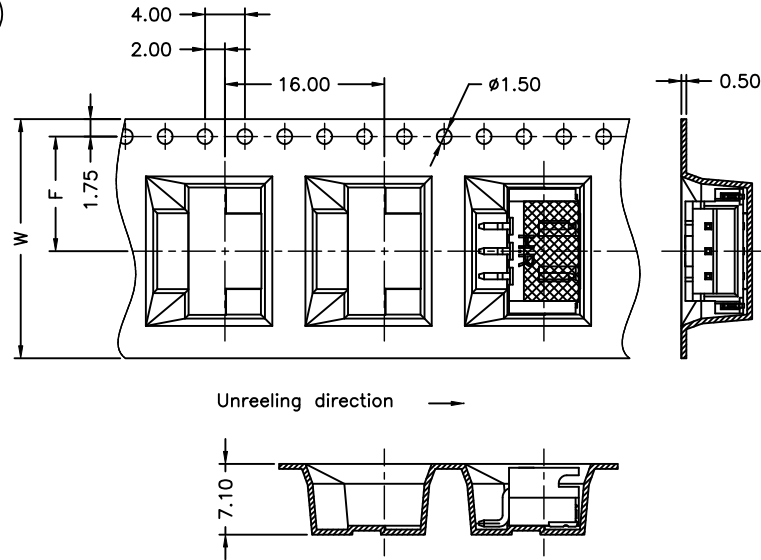
Circuit No.	Dimensions			Circuit No.	Dimensions		
	A	B	C		A	B	C
02P	2.50	10.00	6.00	09P	20.00	27.50	23.50
03P	5.00	12.50	8.50	10P	22.50	30.00	26.00
04P	7.50	15.00	11.00	11P	25.00	32.50	28.50
05P	10.00	17.50	13.50	12P	27.50	35.00	31.00
06P	12.50	20.00	16.00	13P	30.00	37.50	33.50
07P	15.00	22.50	18.50	14P	32.50	40.00	36.00
08P	17.50	25.00	21.00	15P	35.00	42.50	38.50

				燦達電子工業股份有限公司 JOINT TECH ELECTRONIC IND. CO., LTD.	
UNIT		SCALE	SHEET		TITLE:
mm		1 : 1	1 of 2		
DRAWN BY		APPROVED BY		2.50mm PITCH 90° WAFER-SMT TYPE	
陳錦展		陳彥兆			
2012.03.19		2012.03.19			
GENERAL TOLERANCE					
A3	EN20191010031	2019.04.18	焦秋蘭	X. X±0.25	ANGLE±
A2	EN1805290001	2018.06.29	徐富永	X. XX±0.15	
A1	EN1709070001	2017.09.15	向瑞	X. XXX±0.05	
A0	NEW RELEASE	2012.03.19	陳錦展		
REV.	DESCRIPTION	DATE	NAME		

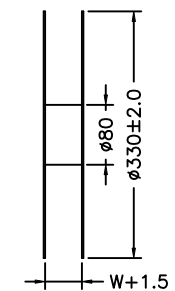
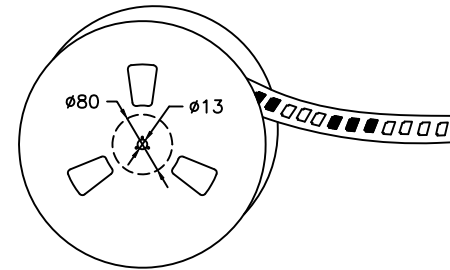
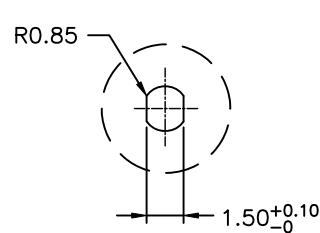
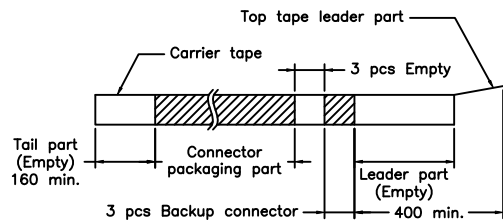
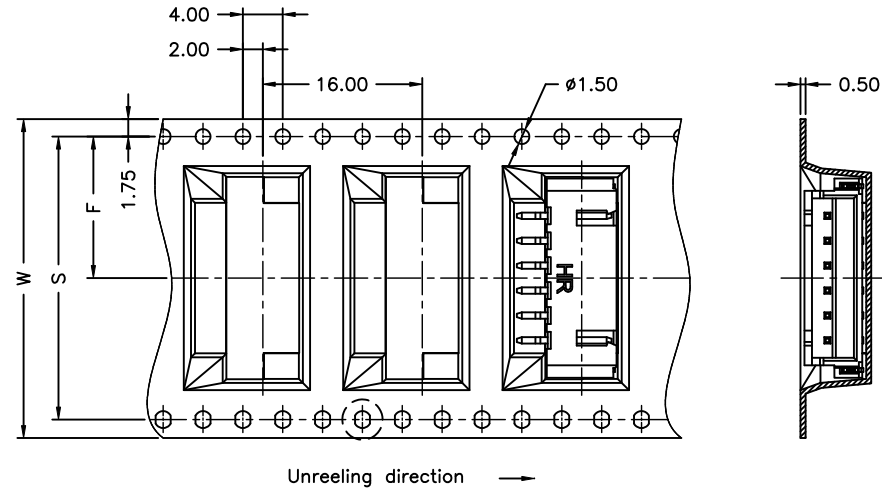
DRAW NO.: A2501WR-S-XPXXXXXXX REV. A3



02~04 Contacts



05~15 Contacts



Number of Contacts	W±0.3	F±0.1	S±0.1	Q'ty/Reel
02P	24	11.50	/	500
03P	24	11.50		500
04P	24	11.50		500
05P	32	14.20	28.40	500
06P	32	14.20	28.40	500
07P	44	20.20	40.40	500
08P	44	20.20	40.40	500
09P	44	20.20	40.40	500
10P	44	20.20	40.40	500
11P	44	20.20	40.40	500
12P	56	26.20	52.40	500
13P	56	26.20	52.40	500
14P	56	26.20	52.40	500
15P	56	26.20	52.40	500

NOTE:  
Material: Transparent  
Anti-static Polystyrene.

				UNIT	SCALE	SHEET	TITLE:
				mm	1 : 1	2 of 2	
DRAWN BY: 陳錦展 2012.03.10 APPROVED BY: 陳彥兆 2012.03.19				GENERAL TOLERANCE			2.50mm PITCH 90° WAFER-SMT TYPE TAPING SPEC.
				A3	EN20191010031	2019.04.18	
A2	EN1805290001	2018.06.29	徐富永	X.XX±0.15		DRAW NO. : A2501WR-S-XPXXXXXXX	REV. A3
A1	EN1709070001	2017.09.15	向瑞	X.XXX±0.05			
A0	NEW RELEASE	2012.03.19	陳錦展				
REV.	DESCRIPTION	DATE	NAME				