

P/N LEGEND

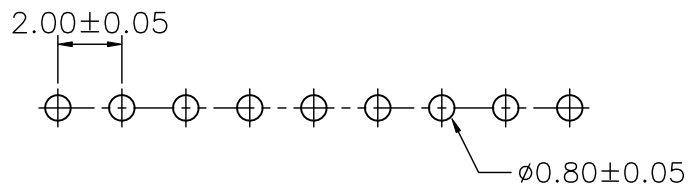
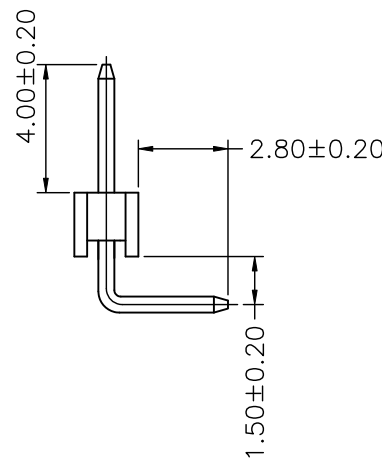
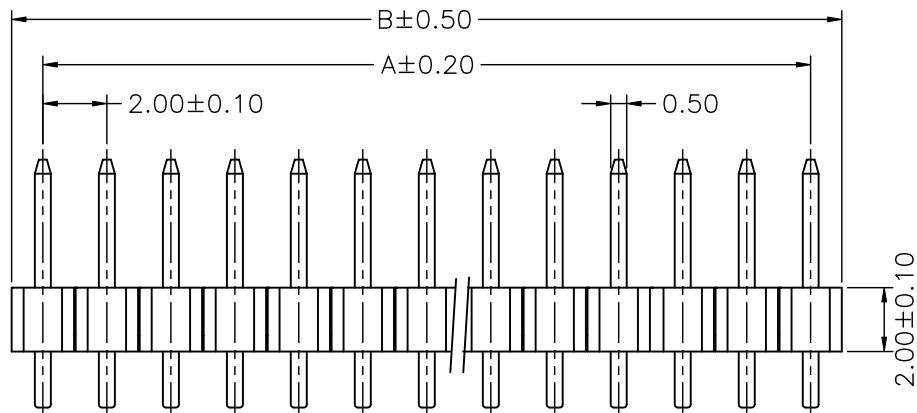
<u>A2015</u>			<u>WR-XP</u>	
①	②	③		
① Series No.				
② Connector type: WR=Right angle				
③ No. of circuits				

SPECIFICATIONS

Current Rating: 2A AC,DC
 Voltage Rating: 250V AC,DC
 Temperature Range: -25°C ~ +85°C
 Contact Resistance: 20mΩ Max.
 Insulation Resistance: 1000MΩ Min.
 Withstanding Voltage: 1000V AC/minute
 Material: PBT30%GF,UL94V-0, Black
 Pin Material: Brass

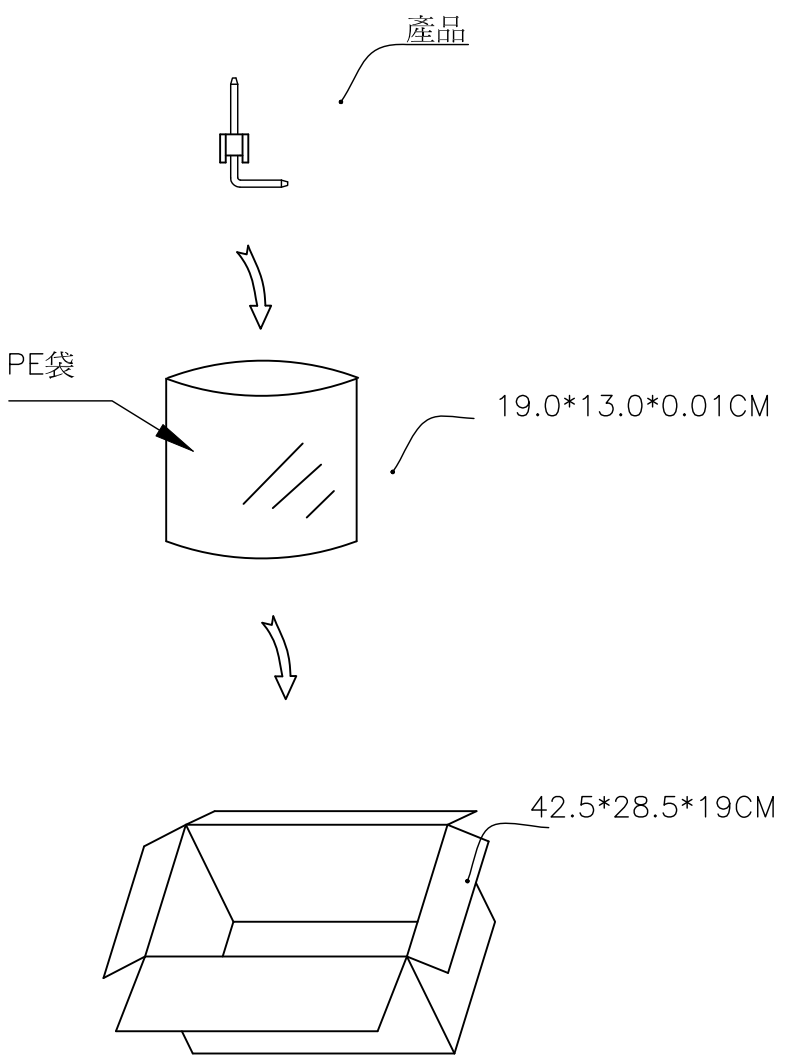
Ordering Information & Dimensions

Circuit No.	Dimensions		Circuit No.	Dimensions		Circuit No.	Dimensions	
	A	B		A	B		A	B
02P	2.00	4.00	15P	28.00	30.00	28P	54.00	56.00
03P	4.00	6.00	16P	30.00	32.00	29P	56.00	58.00
04P	6.00	8.00	17P	32.00	34.00	30P	58.00	60.00
05P	8.00	10.00	18P	34.00	36.00	31P	60.00	62.00
06P	10.00	12.00	19P	36.00	38.00	32P	62.00	64.00
07P	12.00	14.00	20P	38.00	40.00	33P	64.00	66.00
08P	14.00	16.00	21P	40.00	42.00	34P	66.00	68.00
09P	16.00	18.00	22P	42.00	44.00	35P	68.00	70.00
10P	18.00	20.00	23P	44.00	46.00	36P	70.00	72.00
11P	20.00	22.00	24P	46.00	48.00	37P	72.00	74.00
12P	22.00	24.00	25P	48.00	50.00	38P	74.00	76.00
13P	24.00	26.00	26P	50.00	52.00	39P	76.00	78.00
14P	26.00	28.00	27P	52.00	54.00	40P	78.00	80.00



P.C.B LAYOUT

						燦達電子工業股份有限公司 JOINT TECH ELECTRONIC IND. CO., LTD.	
UNIT		SCALE		SHEET		TITLE:	
mm		1 : 1		1 of 2		2.00mm PITCH 90° SINGLE ROW PIN HEADER	
DRAWN BY		APPROVED BY					
董正一		董正一					
2001.02.01		2001.02.01				DRAW NO. : A2015WR-XP	
GENERAL TOLERANCE						REV. B2	
B2	EN1808230002	2018.08.23	劉建芳	X.X±0.25	ANGLE±		
B1	REVISE	2006.08.30	歐陽小強	X.XX±0.15			
B0	NEW RELEASE	2005.11.30	李勤	X.XXX±0.05			
REV.	DESCRIPTION	DATE	NAME				


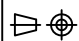


包裝說明:

- 1.將全檢OK後將成品裝入PE袋內。(如圖示)
- 2.確定成品數量無誤後封好袋口;(包裝數量如明細表)
- 3.將裝入成品的PE袋裝入中型箱中;
- 4.將外箱用膠帶封好,於箱外注明品名,料號,數量,淨重,毛重等出貨明細.
- 5.所有材料必須滿足ROHS環保要求。

包裝明細表

規格名稱	包裝數量/袋	包裝數量/箱
08P	1000	25000
12P	500	13000

				 燦達電子工業股份有限公司 JOINT TECH ELECTRONIC IND. CO., LTD.	
UNIT		SCALE	SHEET		TITLE:
mm		1 : 1	2 of 2		2.00mm PITCH 90° SINGLE ROW PIN HEADER
DRAWN BY		APPROVED BY		DRAW NO. : A2015WR-XP	
劉建芳		劉建芳			
2018.08.23		2018.08.23			
GENERAL TOLERANCE					
X. X±0.25		ANGLE±			
X. XX±0.15					
X. XXX±0.05					
B2	EN1808230002	2018.08.23	劉建芳		
REV.	DESCRIPTION	DATE	NAME		