

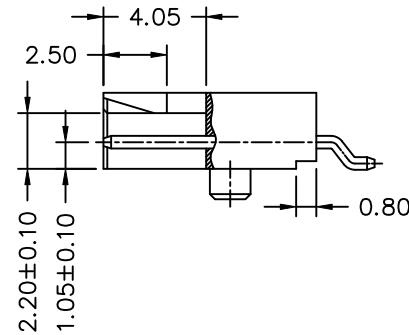
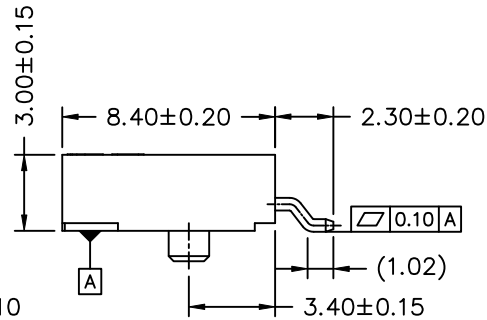
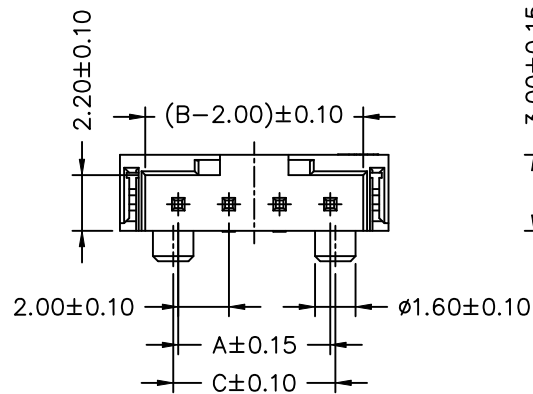
P/N LEGEND

A2014	WR	SF	XP	N	L	N	G1	N	00	L
①	②	③	④	⑤	⑥	⑦	⑧	⑨	⑩	⑪

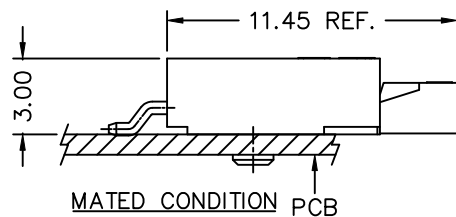
① Series No.
② Connector type: WR=Right angle
③ Mounting type: SF=SMT with boss
④ No. of circuits
⑤ N=Halogen Free
⑥ Material: L=LCP
⑦ Color: N=Natural(Beige)
⑧ Plating code for contacts: G1=Gold-flash
⑨ Plating code: N=Non-plating
⑩ Option code: 00=Standard
⑪ Packing code: L=Tape & Reel(With Mylar)

SPECIFICATIONS

Current Rating: 3A AC,DC
Voltage Rating: 250V AC,DC
Temperature Range: -25°C ~ +85°C
Contact Resistance: 30mΩ Max.
Insulation Resistance: 1000MΩ Min.
Withstanding Voltage: 500V AC/minute
Pin Material: Brass/Gold-flash
Material: LCP,UL94V-0
Color: Natural(Beige)



Circuit No.	Dimensions		
	A	B	C
04P	6.00	10.60	6.40
05P	8.00	12.60	8.40
06P	10.00	14.60	10.40
08P	14.00	18.60	14.40



				燦達電子工業股份有限公司 JOINT TECH ELECTRONIC IND. CO., LTD.	
UNIT		SCALE	SHEET		
mm		1 : 1	1 of 2		
DRAWN BY		APPROVED BY			
陳敏		董正一			
2009.12.09		2009.12.09			
GENERAL TOLERANCE					
A2	EN20200925439	2020.10.14	黃培軍		
A1	EN1103030044	2011.02.22	童冠銘	X. X±0.25	
A0	NEW RELEASE	2009.12.09	陳敏	X. XX±0.15	
REV.	DESCRIPTION	DATE	NAME	X. XXX±0.05	

2.00mm PITCH
90° WAFER-SMT TYPE

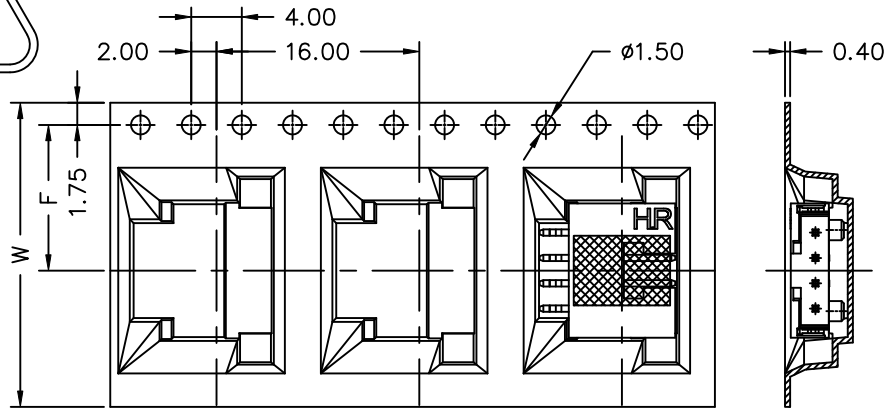
TITLE:

DRAW NO. : A2014WR-SF-XPXXXXXXXXXX

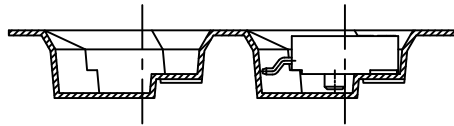
REV. A2



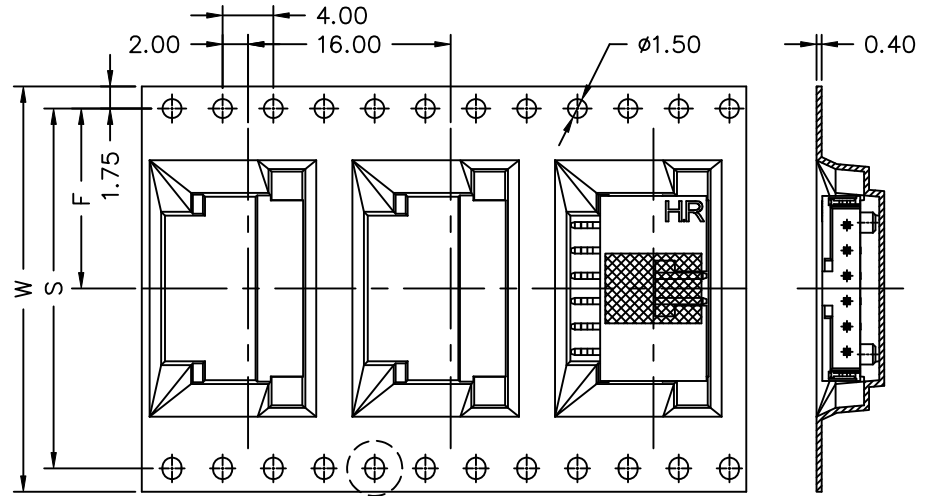
04~06 Contacts



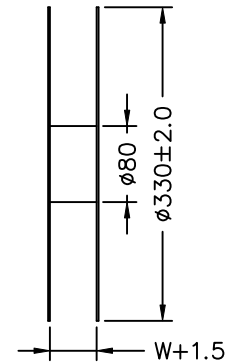
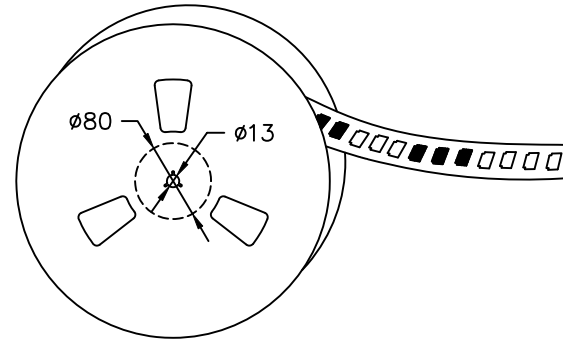
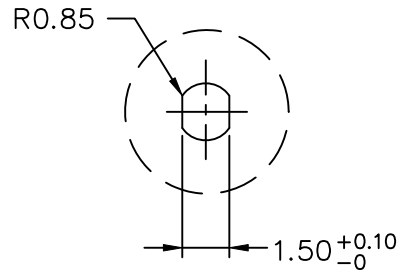
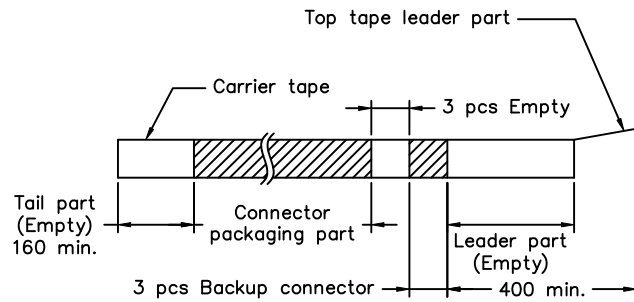
Unreeling direction →



08 Contacts



Unreeling direction →



NOTE:

Material: Transparent Anti-static Polystyrene.

Number of Contacts	W±0.3	F±0.1	S±0.1	Q'ty/Reel
04P	24	11.50	/	800
05P	24	11.50		800
06P	32	14.20	28.40	800
08P	44	20.20	40.40	800



燦達電子工業股份有限公司
JOINT TECH ELECTRONIC IND. CO., LTD.

UNIT: mm SCALE: 1:1 SHEET: 2 of 2

DRAWN BY: 陳敏 DATE: 2010.01.04
APPROVED BY: 董正一 DATE: 2010.01.04

GENERAL TOLERANCE: X.X±0.25, X.XX±0.15, X.XXX±0.05
ANGLE: ±

TITLE: 2.00mm PITCH 90° WAFER-SMT TYPE, TAPING SPEC.
DRAW NO.: A2014WR-SF-XPNXXXXXXXXX REV. A2