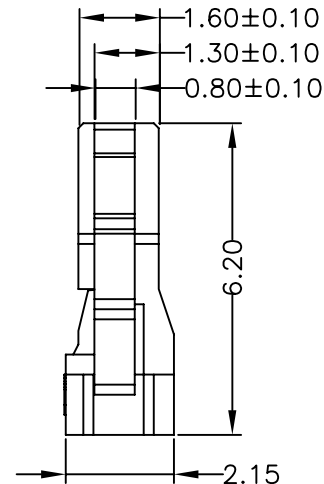
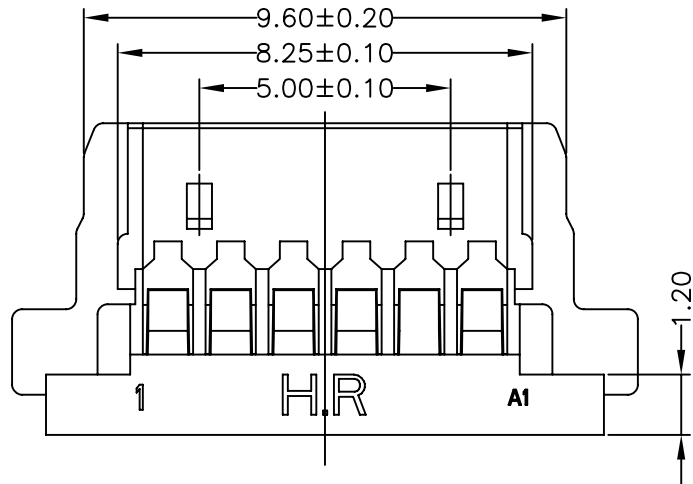


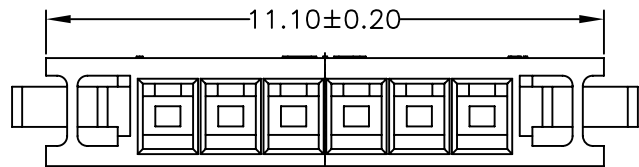
P/N LEGEND

A12510	HB-06P	N	0	W	NP	N	00	G	
①	②	③	④	⑤	⑥	⑦	⑧	⑨	⑩
① Series No.									
② Connector type: HB=Type B Housing									
③ No. of circuits									
④ N=Halogen Free									
⑤ Material: 0=Nylon 66-V0									
⑥ Color: W=White									
⑦ Plating code: NP=Non-plating									
⑧ Plating code: N=Non-plating									
⑨ Option code: 00=Standard									
⑩ Packing code: G=Bag									



SPECIFICATIONS

Current Rating: 1A AC,DC
 Voltage Rating: 200V AC,DC
 Temperature Range: -25°C ~ +85°C
 Contact Resistance: 20mΩ Max.
 Insulation Resistance: 1000MΩ Min.
 Withstanding Voltage: 900V AC/minute



				燦達電子工業股份有限公司 JOINT TECH ELECTRONIC IND. CO., LTD.			
UNIT		SCALE		SHEET		TITLE:	
mm		1 : 1		1 of 1		1.25 WIRE TO BOAED CONN. HOUSING-6P	
DRAWN BY		APPROVED BY					
陳錦展		陳彥兆					
2012.07.09		2012.07.09					
GENERAL TOLERANCE							
A0		NEW RELEASE		2012.07.09		陳錦展	
REV.		DESCRIPTION		DATE		NAME	
		X.X±0.25		ANGLE±		DRAW NO. :	
		X.XX±0.15		⊕		A12510HB-06PNXXXXXXX	
		X.XXX±0.05		⊕		REV. A0	