

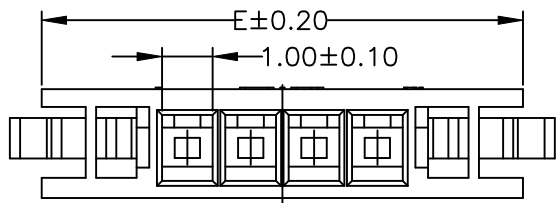
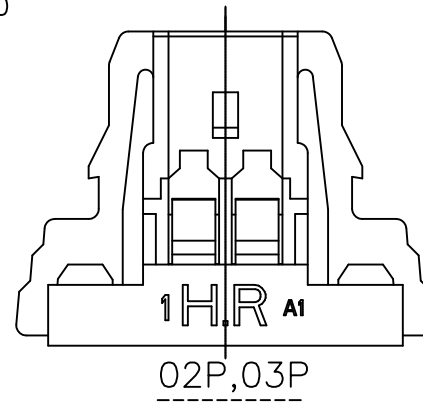
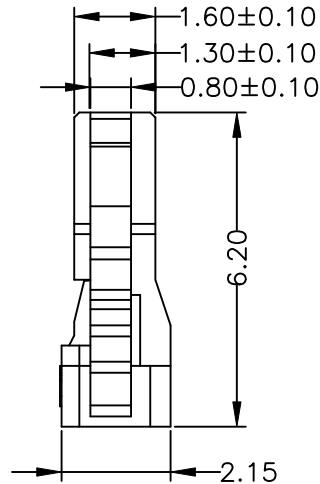
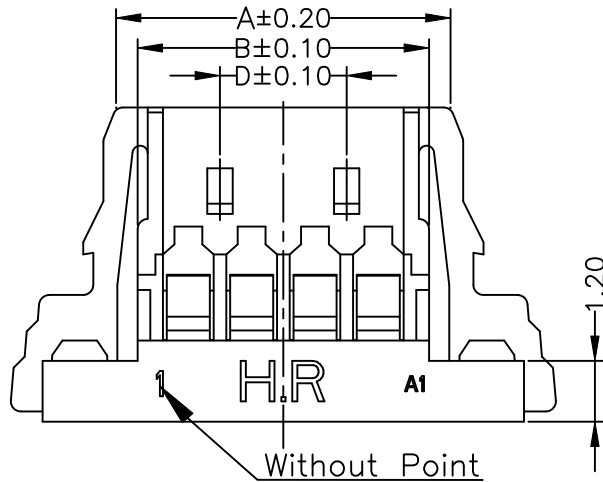
P/N LEGEND

A12510 HA-XP N 0 W NP N 00 G									
①	②	③	④	⑤	⑥	⑦	⑧	⑨	⑩
① Series No.									
② Connector type: HA=Type A Housing									
③ No. of circuits									
④ N=Halogen Free									
⑤ Material: 0=Nylon 66-V0									
⑥ Color: W=White									
⑦ Plating code: NP=Non-plating									
⑧ Plating code: N=Non-plating									
⑨ Option code: 00=Norma/type,Without Point									
⑩ Packing code: G=Bag									

SPECIFICATIONS

Current Rating: 1A AC,DC  
 Voltage Rating: 200V AC,DC  
 Temperature Range: -25°C ~ +85°C  
 Contact Resistance: 20mΩ Max.  
 Insulation Resistance: 1000MΩ Min.  
 Withstanding Voltage: 900V AC/minute

Circuit No.	Dimensions				
	A	B	C	D	E
03P	5.35	4.50	4.10	/	8.25
04P	6.60	5.75	5.35	2.50	9.50
06P	9.10	8.25	7.85	5.00	12.00



				燦達電子工業股份有限公司 JOINT TECH ELECTRONIC IND. CO., LTD.			
				UNIT	SCALE	SHEET	TITLE:
				mm	1 : 1	1 of 1	
B0	EN20200116175	2020.01.16	劉建芳	DRAWN BY	APPROVED BY	童冠銘	1.25 WIRE TO BOAED CONN. HOUSING
A5	EN1606140002	2016.06.14	周傑亮				
A4	EN1305310179	2013.05.30	郭木思				
A3	EN1301300040	2013.01.29	郭木思				
A2	EN1202130022	2012.03.23	楊峰				
A1	EN1107040252	2011.07.04	陳柏菘	GENERAL TOLERANCE			
A0	NEW RELEASE	2011.04.14	陳柏菘	X. X±0.25	ANGLE±		
REV.	DESCRIPTION	DATE	NAME	X. XX±0.15			
				X. XXX±0.05			
DRAW NO. : A12510HA-XPNXXXXXXXXX							REV. B0